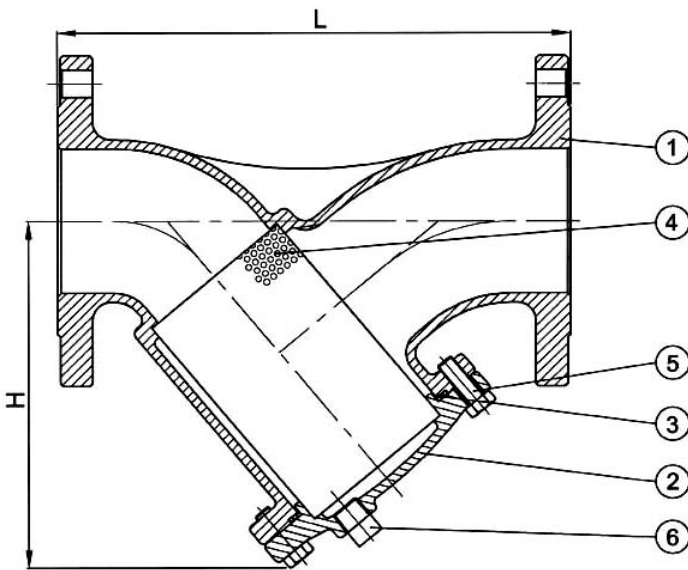


**YF-16 Cast Stainless Steel Y-strainer Flanged PN16**

**Feature**

- Shell Wall Thickness: ANSI B16.34
- Face to Face : DIN3202
- End Flanges: DIN2543



**Screen Specification**

SIZE	PERFORATION
1/2" ~ 1 1/2"	1mm
2" ~ 12"	2mm
14" ~ 24"	4mm

**Test Pressure To API 598**

	PN16
Shell TEST - WATER	340 PSI (24KG/CM2)

**Material List**

NO.	PART NAME	MATERIAL		
		304	316	316L
1	BODY	1.4308	1.4408	1.4409
2	CAP	1.4308	1.4408	1.4409
3	GASKET	PTFE		
4	SCREEN	SS304	316	SS316L
5	BOLT NUT	A193-B7	ASTMA 194-B8	
6	PLUG	SS304	SS316	SS316L

**Dimension**

SIZE	IN	1/2"	3/4"	1"	1-1/2"	2"	2-1/2"	3"	4"	5"	6"	8"	10"
	MM	15	20	25	40	50	65	80	100	125	150	200	250
L		130	150	160	200	230	290	310	350	400	480	600	680
H		75	75	100	120	140	175	196	244	277	320	390	430