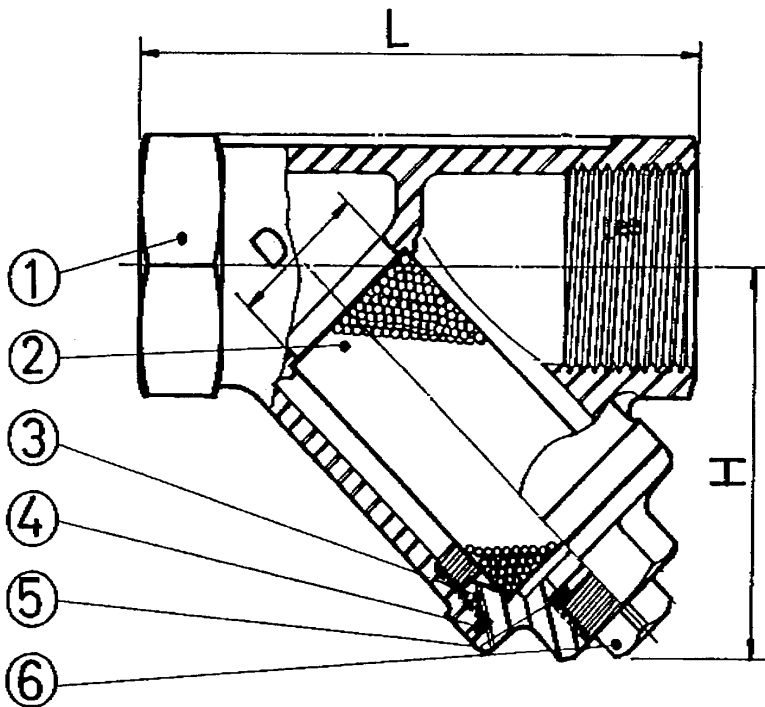


Y-8 Y-Strainer Threaded 800WOG

Features

1. Thread ends: NPT, BSPP, BSPF, BSPT, PT
2. Investment casting



Material List

| NO. | PART NAME | MATERIAL |
|-----|-----------------|--------------|
| 1 | BODY | CF8M (SS316) |
| 2 | SCREEN (FILTER) | SS316 |
| 3 | CAP | SS316 |
| 4 | GASKET | PTFE |
| 5 | PACKING | PTFE |
| 6 | PLUG | SS316 |

Dimension

| SIZE | 1/4" | 3/8" | 1/2" | 3/4" | 1" | 1-1/4" | 1-1/2" | 2" | 2-1/2" | 3" |
|------|------|------|------|------|----|--------|--------|-----|--------|-----|
| L | 57 | 57 | 61 | 70 | 86 | 100 | 111 | 138 | 170 | 195 |
| H | 32 | 32 | 37 | 41 | 47 | 54 | 62 | 76 | 110 | 130 |
| D | 10 | 10 | 15 | 20 | 25 | 32 | 38 | 51 | 65 | 80 |