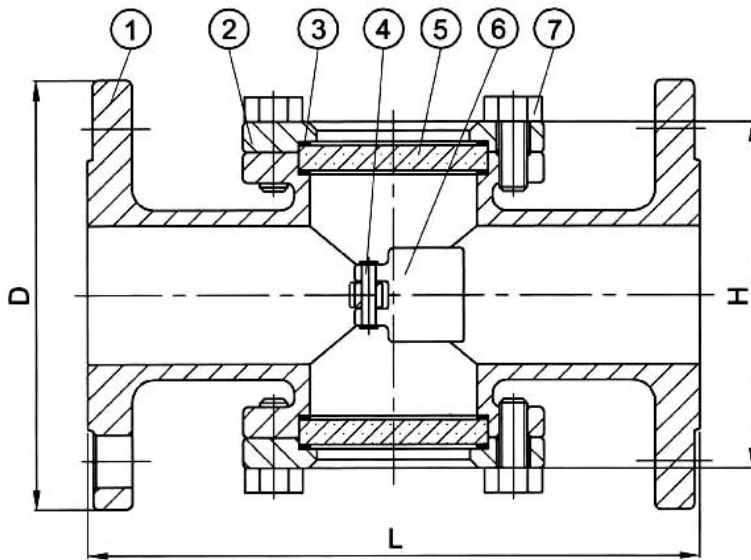


SGF-1 Sight Glass Flanged 10K/150LB

Feature

- Shell Wall Thickness: ANSI B16.34
- Face to Face ANSI B16.10 / JISB2002
- End Flanges ANSI B16.5 / JISB2210



Material List

NO.	PART NAME	MATERIAL		
		304SS	316SS	316L
1	BODY	CF8	CF8M	CF3M
2	COVER	CF8	CF8M	CF3M
3	GASKET	PTFE		
4	SCREEN	SS304	SS316	SS316L
5	GLASS	REINFORCED GLASS		
6	FLAPPER	SS304	SS316	SS316L
7	BOLT	SUS304		

Dimension

SIZE	IN	1/2"	3/4"	1"	1-1/4"	1-1/2"	2"	2-1/2"	3"	4"	5"	6"	8"
	MM	15	20	25	40	40	50	65	80	100	125	150	200
L		130	130	170	200	200	220	270	270	320	380	420	580
H		100	100	100	125	125	125	167	180	210	270	280	345
D		89	98	108	117	127	152	178	190	229	254	279	343