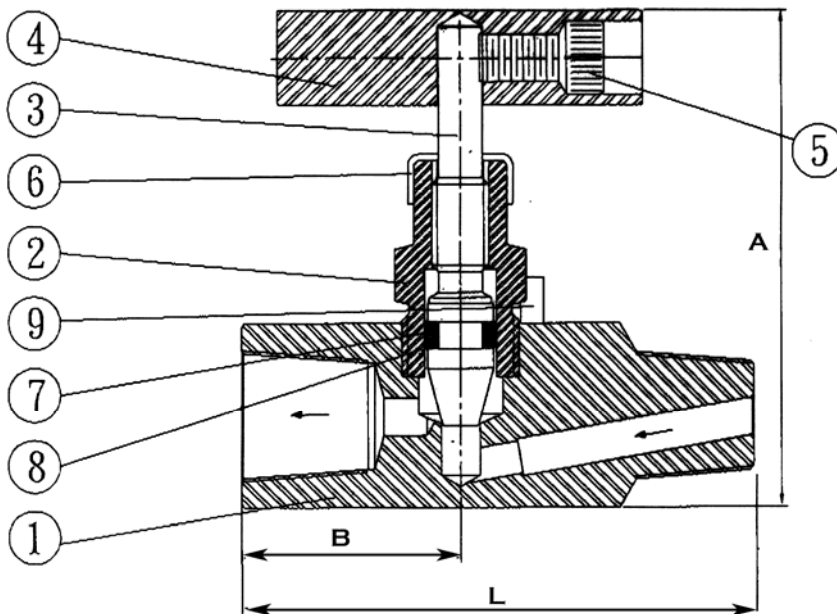


NDMF-6 Needle Valve 6000PSI, Male x Female Threaded End

Features

- Thread ends: NPT, BSPP, BSPF, BSPT, PT
- Feature: Screwed-In Bonnet
T-hand wheel
- Working Pressure: 6000 PSI
- Temperature Range: Max. 120°C



Material List

| NO. | PART NAME | MATERIAL | |
|-----|--------------------|-------------|------|
| 1 | BODY | SS316 | A105 |
| 2 | BONNET | SS316 | A105 |
| 3 | STEM | SS316 | |
| 4 | HANDLE | SS304 | A105 |
| 5 | HANDLE BOLT | SS304 | |
| 6 | BONNET HOOD | POLYTHYLENE | |
| 7 | BACK-UP RING | VITON | |
| 8 | O-RING SEAL | VITON | |
| 9 | BONNET LOCKING PIN | SS304 | |

Dimension

| SIZE | A | B | L |
|------|-----|------|-----|
| 1/4" | 75 | 30 | 70 |
| 3/8" | 75 | 32 | 75 |
| 1/2" | 87 | 36.5 | 86 |
| 3/4" | 90 | 40 | 45 |
| 1" | 103 | 45 | 100 |