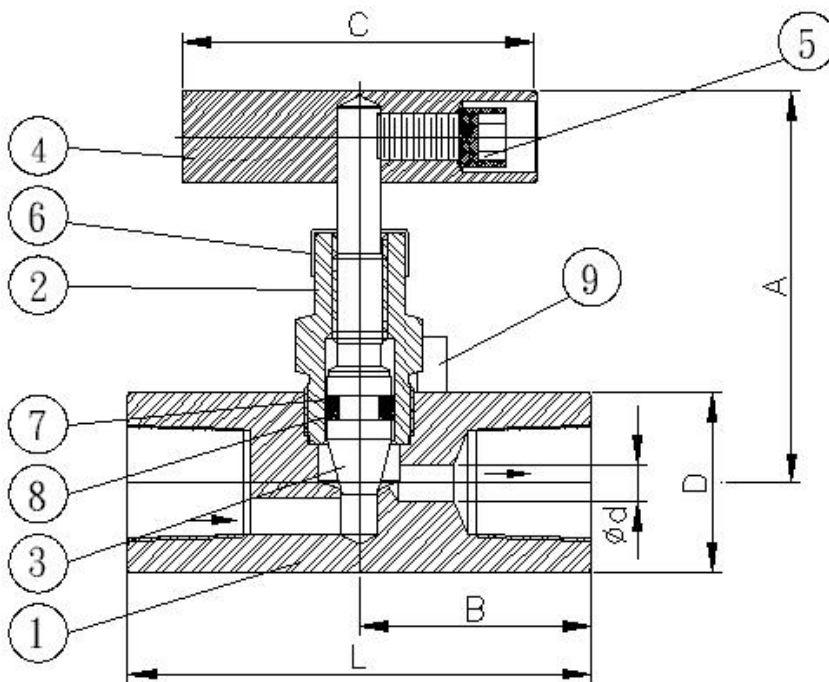


ND-10 Needle Valve 10000PSI, Reduced Port, Threaded End

Features

- Thread ends: NPT, BSPP, BSPF, BSPT, PT
- Material: Stainless steel 316 ASTM A351 and Carbon steel ASTM A105
- Feature: Screwed-In Bonnet
T-hand wheel.
- Working pressure: 10,000PSI
- Temperature: Max. 120°C



Dimension

SIZE	A	B	C	D	L	Ød
1/8"	75	29	60	28.5	58	4
1/4"	75	29	60	28.5	58	4
3/8"	75	29	60	28.5	58	4
1/2"	87	32.5	60	28.5	65	6
3/4"	90	35	60	35	70	6
1"	103	40	60	43	80	7

Material List

NO.	PART NAME	MATERIAL	
1	BODY	SS316	A105
2	BONNET	SS316	A105
3	STEM	SS316	
4	HANDLE	SS304	A105
5	HANDLE BOLT	SS304	
6	BONNET HOOD	POLYTHYLENE	
7	BACK-UP RING	VITON/PTFE	
8	O-RING SEAL	VITON/PTFE	
9	BONNET LOCKING PIN	SS304	