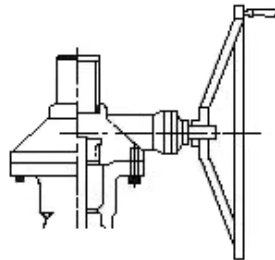


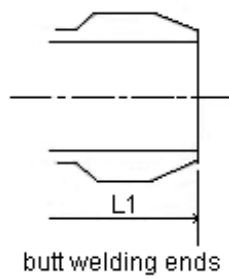
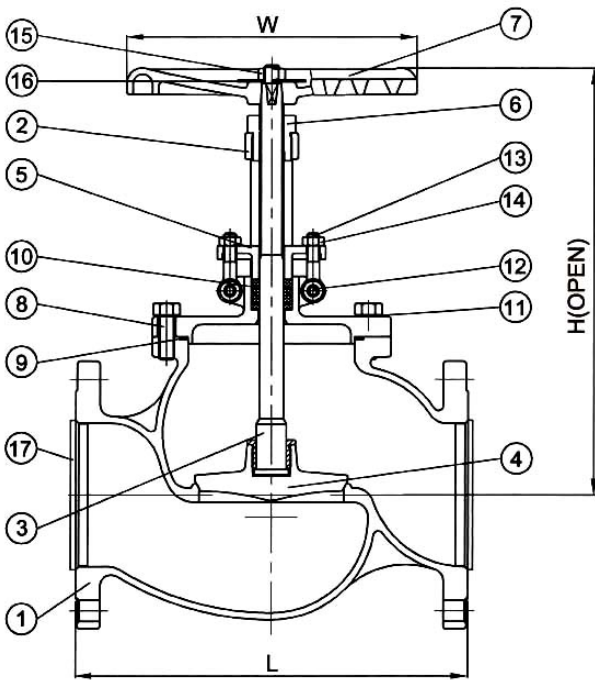
**GBF-3 Cast Stainless Steel Globe Valve Flanged 20K/ 300LB
Outside Screw & Yoke Bolted Bonnet**

Feature

- Shell Wall Thickness: ANSI B16.34
- Face to Face ANSI B16.10 / JISB2002
- End Flanges ANSI B16.5 / JISB2210



available with gear operator



Material List

NO.	PART NAME	MATERIAL		
		304SS	316SS	316L
1	BODY	CF8	CF8M	CF3M
2	BONNET	CF8	CF8M	CF3M
3	STEM	SUS304	SUS316	SUS316L
4	DISC SEAT	SUS304	SUS316	SUS316L
5	GRAND	CF8	CF8M	CF3M
6	BUSH	BRONZE		
7	HAND WHEEL	DUCTILE IRON		
8	BONNET BOLT	A193-B8		
9	GASKET	SPIRAL WOUND/ GRAPHITE/PTFE		
10	PACKING	PTFE/GRAPHITE		
11	SPRING WASHER	A267-304		
12	EYE BOLT PIN	A276-304		
13	EYE BOLT	A193-B8		
14	EYE BOLT NUT	A194-8		
15	WHEEL NUT	A194-8		
16	WASHER	SUS304		
17	COVER	PE		

Test Pressure To API 598

	ANSI 300LB	JIS 20K
Shell Test (Water)	1125 PSI (77 kg/cm ²)	40 kg/cm ²
Seat Test (Water)	814 PSI (56 kg/cm ²)	30 kg/cm ²
Seat Test (Air)	80 PSI (6 kg/cm ²)	6 kg/cm ²

Dimension

SIZE	IN	1/2"	3/4"	1"	1-1/2"	2"	2-1/2"	3"	4"	5"	6"	8"	10"
	MM	15	20	25	40	50	65	80	100	125	150	200	250
L/L1		152	178	203	229	267	292	318	356	400	444	559	622
H		195	200	215	275	285	335	380	435	540	560	630	750
W		125	125	125	160	190	190	220	250	350	350	400	500