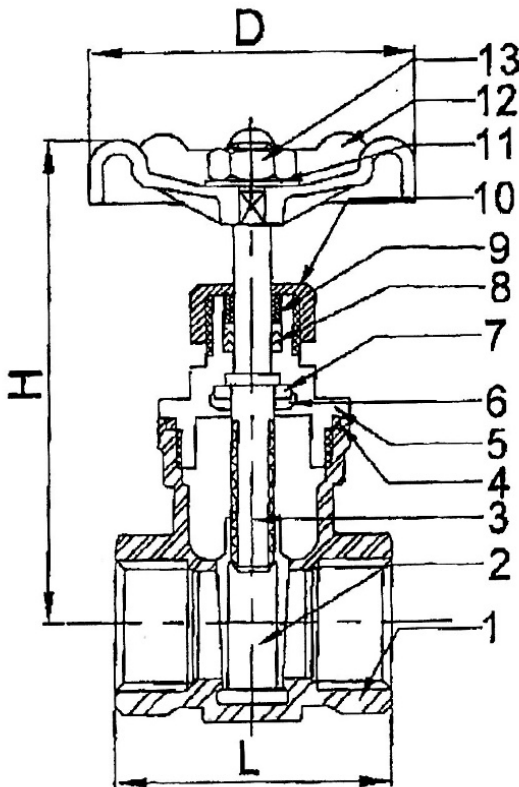


GT-6 Gate Valve 600 PSI Threaded End

Feature

- Thread ends: NPT, BSPP, BSPF, BSPT, PT
- Pressure Rating: 600PSI
- Working Temperature: < 160°C
- Investment casting body
- Inside screwed and screwed bonnet wedge disc
- Integral seat
- Non rising stem and hand wheel
- Material: SS316/ASTM A351 Gr.CF8M
DIN 1.4408



Material List

NO.	PART NAME	MATERIAL
1	BODY	CF8M
2	DISC	CF8M
3	STEM	CF8M
4	CAP	CF8M
5	GASKET	TEFLON
6	SNAP PING	316
7	STEM PACKING	316
8	PACKING	TEFLON
9	GLAND WASHER	304/316
10	CAP NUT	304/316
11	SPIN WASHER	ALUMINUM
12	HANDLE	ALUMINUM
13	NUT	304

Dimension (mm):

SIZE	NPS	3/8"	1/2"	3/4"	1"	1-1/4"	1-1/2"	2"	2-1/2"	3"
	DN	10	15	20	25	32	40	50	65	80
L		55.5	58.0	62.5	70.5	78.5	83.0	95.5	114.5	131.0
H		95.5	99.0	109.0	114.0	135.5	152.0	170.5	215.0	243.0
W		61.0	61.0	61.0	77.0	83.0	83.0	95.0	112.0	112.0