

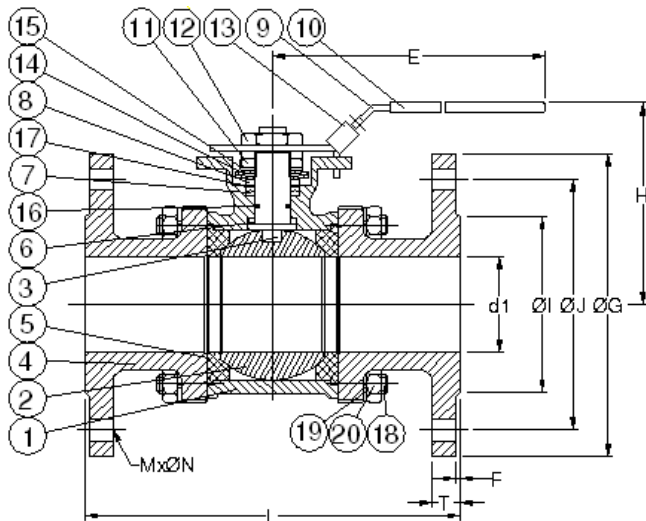
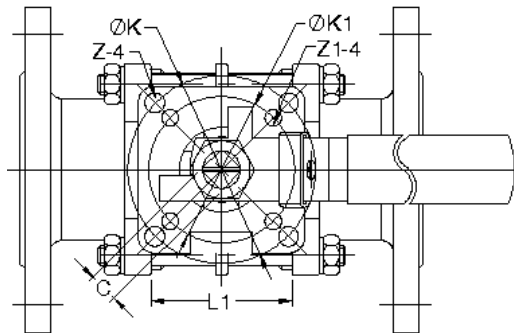
VBF3E-PN40 3 Piece Ball Valve Flanged PN40, Full Port, Direct Mounting

Features

1. Face to face: DIN 3202 F1
2. End flange: PN 40 DIN 2545
3. Design: ANSI 16.34
4. Investment casting
5. Blow-out proof stem
6. Pressure: PN40

Options

1. Carbon/ Stainless steel body construction
2. Locking device available if requested



Material List

NO.	PART NAME	MATERIAL
1	BODY	1.4408/EN1503-1
4	BALL	CF8M/EN1503-2
5	STEM	SS316
9	END CAP	1.4408/EN1503-1
12	SEAT	RTFE
13	THRUST WASHER	RTFE
14	STEM PACKING	RTFE
15	GLAND BUSH	SS304
19	HANDLE	SS304
21	HANDLE COVER	PLASTIC
22	STEM NUT	SS304
24	HANDLE NUT	SS304
28	LOCKING PAD	SS304
29	BELLEVILLE WASHER	SS304-CSP
30	TAB WASHER	SS304
31	O-RING	VITON
32	PACKING FOLLOWER	PTFE+25%GF
35	BODY BOLT	SS304
36	BOLT WASHER	SS304
37	BOLT NUT	SS304

Dimension

SIZE	d1	L	E	H	C	ØG	ØJ	ØI	T	F	MxØN	ØK	ØK1	Z-4	Z1-4	L1	
DN15	1/2"	15.0	130.0	112.0	74.0	9.0	95.0	65.0	45.0	16.0	2.0	4xØ14	50.0	36.0	7.0	6.0	22.5
DN20	3/4"	20.0	150.0	112.0	81.0	9.0	105.0	75.0	58.0	18.0	2.0	4xØ14	50.0	36.0	7.0	6.0	27.5
DN25	1"	25.0	160.0	136.0	90.5	9.0	115.0	85.0	68.0	18.0	2.0	4xØ14	50.0	36.0	7.0	6.0	34.0
DN32	1-1/4"	32.0	180.0	185.0	98.7	9.0	140.0	100.0	78.0	18.0	2.0	4xØ18	50.0	36.0	7.0	6.0	42.5
DN40	1-1/2"	38.0	200.0	198.0	115.3	14.0	150.0	110.0	88.0	18.0	3.0	4xØ18	70.0	50.0	9.0	7.0	52.0
DN50	2"	50.0	230.0	198.0	124.0	14.0	165.0	125.0	102.0	20.0	3.0	4xØ18	70.0	50.0	9.0	7.0	63.5
DN65	2-1/2"	65.0	290.0	267.0	155.0	17.0	185.0	145.0	122.0	22.0	3.0	8xØ18	102.0	70.0	11.0	9.0	85.5
DN80	3"	80.0	310.0	267.0	208.5	17.0	200.0	160.0	138.0	24.0	3.0	8xØ18	102.0	70.0	11.0	9.0	102.0
DN100	4"	100.0	350.0	322.0	216.7	17.0	235.0	190.0	162.0	27.0	3.0	8xØ22	102.0	70.0	11.0	9.0	128.5