

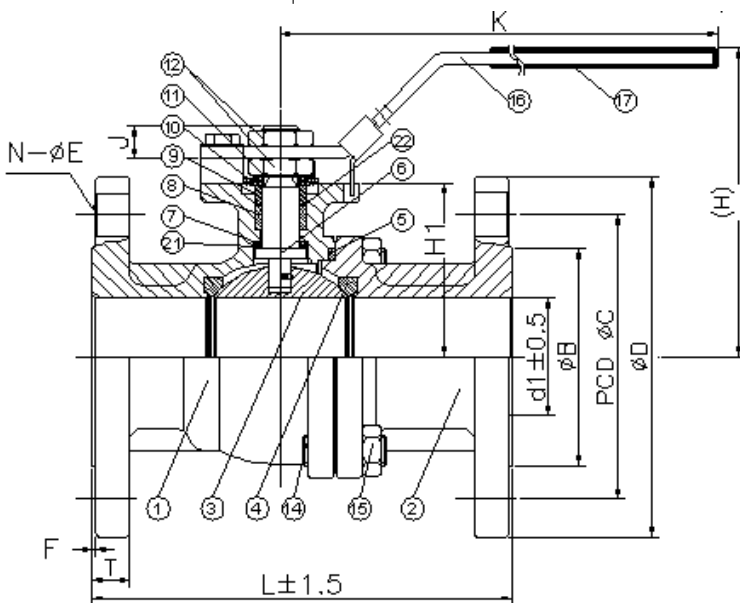
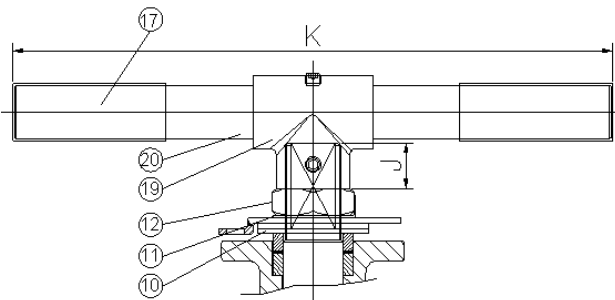
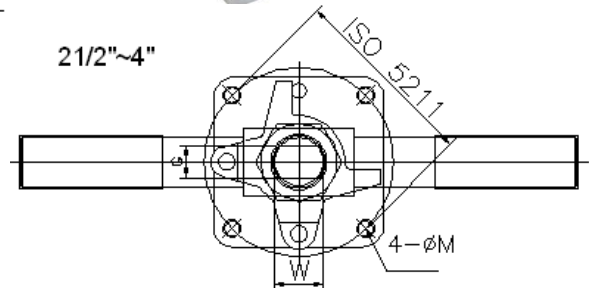
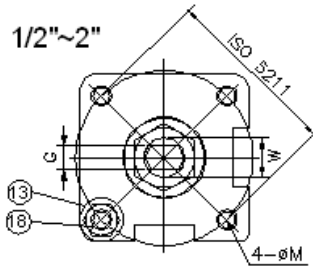
VBF2-3 2 Piece Ball Valve Flanged 300#, Full Port, Direct Mounting

Features

1. Face to face: ANSI B16.10
2. End Flange: ANSI B16.5
3. Design: ANSI B16.34
4. Investment casting
5. Blow-out proof stem
6. Pressure: 300#

Options

1. Carbon/ Stainless steel body construction
2. Locking device available



Material List

NO.	PART NAME	MATERIAL	
1	BODY	SS316	WCB
2	END CAP	SS316	WCB
3	BALL	SS316	SS304
4	BALL SEAT	PTFE	
5	BODY GASKET	GRAPHITE	
6	STEM	SS316	SS304
7	STEM SEAL-RING	GRAPHITE	
8	V-RING STEM PACKING	GRAPHITE	
9	SLEEVE	SS304	
10	BELLEVILLE WASHER	SS304	
11	STOP	SS304	
12	STEM NUT	SS304	
13	STOP PIN	SS304	
14	BOLTS	ASTM A193 GR.B8	ASTM A193 GR.B7
15	BOLTS NUTS	ASTM A193 GR. 8	ASTM A194 GR. 2HM
16	HANDLE	SS304	
17	HANDLE COVER	PLASTIC	
18	STOP BOLT	SS304	
19	HANDLE ADAPTER	CF8	
20	HANDLE	STEEL	
21	STEM SEAL-RING	RTFE	
22	V-RING STEM PACKING	RTFE	

Dimension

Size	d1	B	C	D	T	F	N	E	H	H1	J	K	L	ISO 5211	M	G	W		
1/2"	15	35	66.5	95.3	14.3	1.6	4	16	80	38.5	8.5	162	140	F04	42	M5*0.8P	10-24UNC	6.35	12
3/4"	20	43	82.6	117.4	15.9	1.6	4	19.1	84.5	42.5	8.5	162	152	F04	42	M5*0.8P	10-24UNC	6.35	12
1"	25	51	88.9	124.0	17.5	1.6	4	19.1	102	52	12	196	165	F05	50	M6*1.0P	1/4-20UNC	8.0	14
1-1/4"	32	63.5	98.6	133.4	19.1	1.6	4	19.1	102	56	12	196	178	F05	50	M6*1.0P	1/4-20UNC	8.0	14
1-1/2"	38	73.2	114.3	155.5	20.7	1.6	4	22.3	125	65.3	12	226	190	F07	70	M8*1.25P	5/16-18UNC	9.5	16
2"	50	92.0	127.0	165.1	22.3	1.6	8	19.1	132	73.8	12	226	216	F07	70	M8*1.25P	5/16-18UNC	9.5	18
2-1/2"	64	104.7	149.4	190.5	25.4	1.6	8	22.3	176.8	92.5	12	300	241	F10	102	M10*1.5P	3/8-16UNC	17	28
3"	76	127.0	168.1	209.6	28.6	1.6	8	22.3	185.5	101.7	23	300	283	F10	102	M10*1.5P	3/8-16UNC	17	28
4"	100	157.2	200.2	254.0	31.8	1.6	8	22.3	200.0	119.0	23	450	305	F10	102	M10*1.5P	3/8-16UNC	17	28

VBF2-3 2 Piece Ball Valve Flanged 300#, Full Port, Direct Mounting

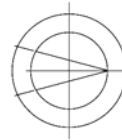
Features

1. Face to face: ANSI B16.10
2. End Flange: ANSI B16.5
3. Design: ANSI B16.34
4. Investment casting
5. Blow-out proof stem
6. Pressure: 300#
7. Test: API-598

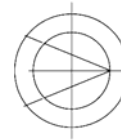
Options

1. Carbon/ Stainless steel body construction
2. Locking device available

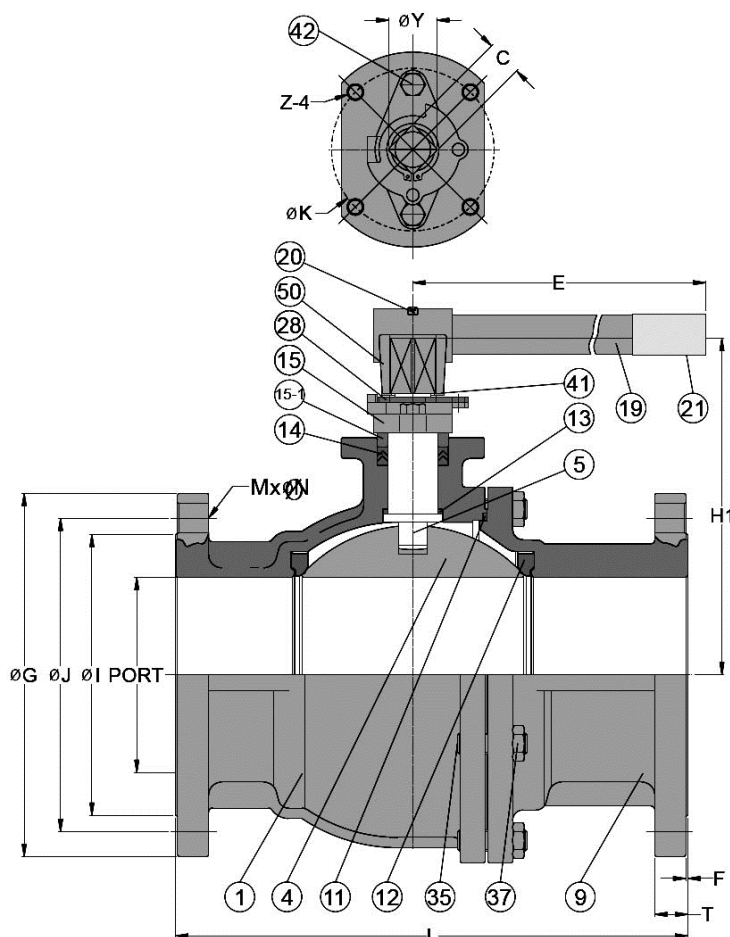
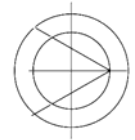
30° V-Ball



45° V-Ball



60° V-Ball



Material List

NO.	PART NAME	MATERIAL		QTY
1	BODY	CF8M	WCB	1
4	BALL	CF8M	WCB	1
5	STEM	SS316	SS304	1
9	END CAP	CF8M	WCB	1
11	BODY SEAL	PTFE		1
12	SEAT	PTFE		2
13	THRUST WASHER	PTFE		1
14	STEM PACKING	PTFE		1 SET
15	GLAND	CF8	WCB	1
15-1	GLAND BUSH	SS304		1
19	HANDLE	LRON		1
20	SET BOLT	SS304		2
21	HANDLE COVER	PLASTIC		1
28	STOP PLATE	SS304		1
35	BODY BOLT	A193 GR. B8	A193 GR. B7	8
37	BOLT NUT	A194 GR. 8	A193 GR. 2HM	8
41	SNAP RING	SS304		1
42	GLAND BOLT	SS304		2
50	HANDLE ADAPTER	A351 GR. CF8		1

Material List

Size	PORT	L	E	H1	H2	H4	C	Ø Y	Ø G	Ø J	Ø I	T	F	M	Ø N	Ø K	Z
5"	125	381	600	233	45	163.0	23	36	279.4	235.0	186	35.0	1.6	8	22.3	125	M12*1.75P
6"	150	403	800	259	45	182.5	23	36	317.5	269.8	216	36.6	1.6	12	22.3	125	M12*1.75P