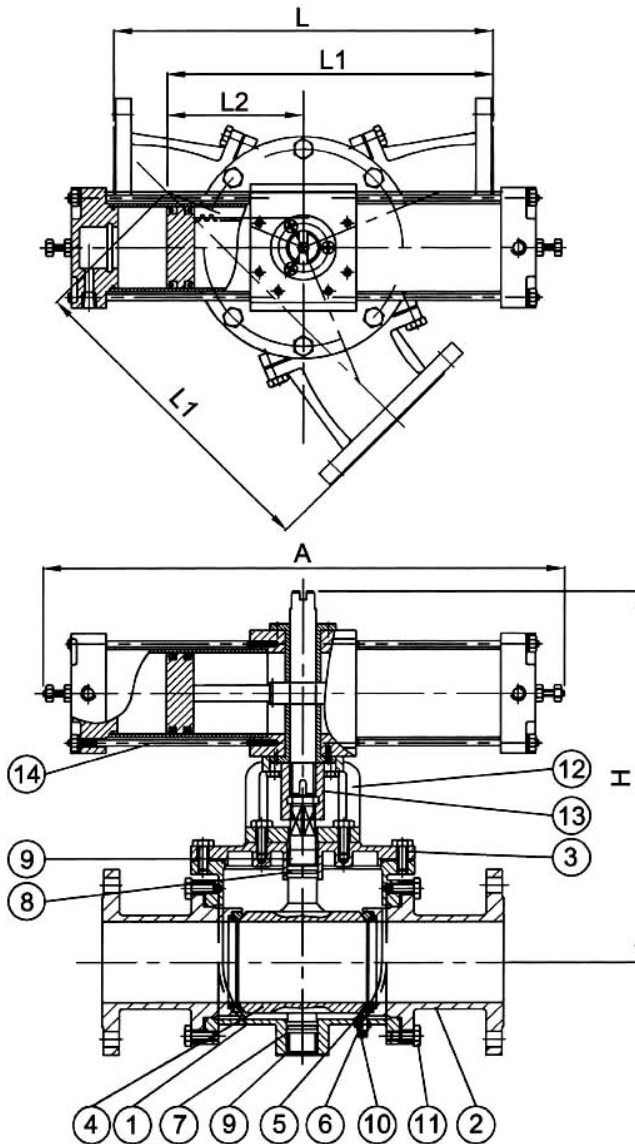


**VDB3W Ball Type Three Way Diverter Valve Flanged 150LB**



**Material List**

NO.	PART NAME	MATERIAL
1	BODY	SUS304 / SUS316
2	BODY CAP	SUS304 / SUS316
3	TOP FLANGE	SUS304 / SUS316
4	BALL	SUS304 / SUS316
5	BACK SEAT	TEFLON
6	BACK SEAT	SILINCON
7	O-RING	NBR OR VITON
8	O-RING	NBR OR VITON
9	BEARING	AL+PTFE
10	PLUG	SUS304
11	BOLT	SUS304
12	FRAME	WCB
13	JOINT	SS41
14	ACTUATOR	AL ALLOY

**Dimension**

SIZE	L	L1	L2	A	d	S	H	CYLINDER SIZE
2"	280	224	84	500	50	PT3/8	330	AC100
2-1/2"	320	264	104	500	65	PT3/8	365	AC100
3"	360	291	111	500	75	PT3/8	375	AC100
4"	460	384	154	600	100	PT3/8	435	AC125
5"	560	483	203	700	125	PT3/8	505	AC150
6"	660	547	227	700	150	PT3/8	510	AC180
8"	800	677	277	700	200	PT3/8	580	AC180
10"	960	810	330	1110	250	PT3/8	650	AC200