

**WC-2 Dual Plate Wafer Type Check Valve**

**Feature**

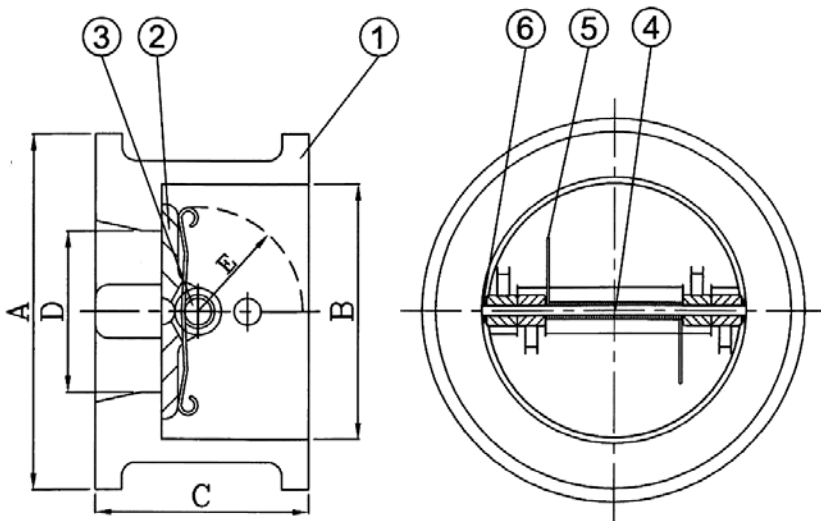
End Connection Rating:

JIS 10K, AISI 150#, DIN PN16

Working Pressure:

10kg/cm<sup>2</sup> , 16kg/cm<sup>2</sup>

Face to Face Dimension: API 594



**Material List**

NO.	PART NAME	MATERIAL			
		WCB	CF8	CF8M	CF3M
1	BODY	WCB	CF8	CF8M	CF3M
2	PLATE	CF8	CF8	CF8M	CF3M
3	HINGE PIN	SUS304	SUS304	SUS316	SUS316L
4	SEAT	METAL, EPDM, VITON			
5	SPRING	SUS304, SUS316, INCONEL			
6	WASHER	SUS304		SUS316	

**Dimension**

MARK	SIZE	2"	2 1/2"	3"	4"	5"	6"	8"	10"	12"	14"	16"	18"	20"	24"	26"	28"	30"	32"	36"	
		A	10K	104	124	134	159	190	220	270	332	378	423	483	538	593	697				
	150 LB	B16.47B B16.47A	104	124	134	174	190	220	270	340	409	450	513	538	593	697	720 760	770 820	815 870	870 930	980 1040
	PN16	109	129	144	164	194	220	275	330	386	446	498	558	620							
	300LB	111	129	148	180	215	250	308	361	421	485	540	595	654	775						
	B	72	80	90	115	140	170	225	280	323	358	435	485	530	630	630	730	780	830	900	
	C	60	67	73	73	83	98	127	146	181	184	191	203	219	222	222	280	305	356	368	
	D	45	52	68	90	110	135	186	240	275	295	360	400	450	550	550	650	700	750	850	
	E	32	37	42	55	64	82	105	134	155	176	203	226	249	301	301	350	375	410	450	