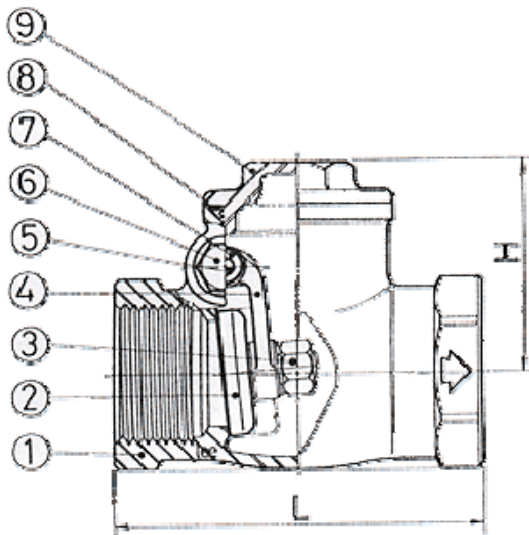


CK-6 Swing Check Valve 600WOG

Features

1. Thread ends: NPT, BSPP, BSPF, BSPT, PT
2. Investment casting
3. Swing type disc
4. Pressure: 600WOG



Materials List

NO.	PART	MATERIAL
1	BODY	304/316
2	DISC	304/316
3	DISC NUT	304
4	CONNECTING ROD	304/316
5	PIN	304/316
6	BOLT	304
7	BOLT WASHER	PTFE
8	GASKET	PTFE
9	CAP	304/316

Dimension

SIZE	1/2"	3/4"	1"	1-1/4"	1-1/2"	2"	2-1/2"	3"
L	60.0	78.0	84.0	94.0	104.0	122.0	153.0	175.0
H	41.5	46.0	49.0	53.5	58.5	67.0	105.0	125.0