

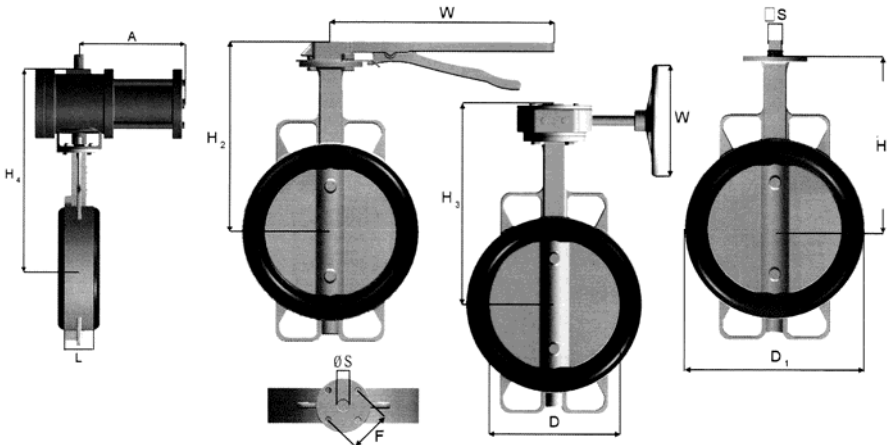
BV1W Butterfly Valve Wafer Type

Features

1. Face to face: ANSI B16.10
2. End Flange: ANSI B16.5, JIS 10K, PN10, PN16
3. Investment casting
4. Blow-out proof stem

Options

1. Cast Iron/ Stainless steel body construction
2. Handle Operator, Gear Operator or Actuator available



Material List

NO.	Parts name	Material
1	Gear Box	FC 200, CF8
2	O-Ring	NBR
3	Stem O-Ring	NBR
4	Body	FC 200, CF8, CF8M
5	Seat	NBR, EPDM, VITON
6	Taper Pin	CF8, CF8M
7	Disc	CF8, CF8M

Dimension

MM	INCH	L	H1	H2	H3	H4	□ S	∅ S	D	D1	W	W1	E	F	A
DN50	2"	43	145	173	213	315	9.0	12.7	55	86	250	197	92	70	135
DN65	2-1/2"	46	156	184	224	328	9.0	12.7	68	102	250	197	92	70	158
DN80	3"	46	165	193	233	337	9.0	12.7	80	115	250	197	92	70	158
DN100	4"	53	185	213	253	405	12.5	16.0	100	145	250	197	92	70	180
DN125	5"	56	199	227	267	419	12.5	16.0	125	175	250	197	92	70	180
DN150	6"	56	213	243	281	456	15.0	19.0	150	207	345	197	92	70	193
DN200	8"	60	245	275	313	488	15.0	19.0	195	255	345	197	92	70	193
DN250	10"	68	272		358	572	16.0	22.0	242	310		297	120	102	206
DN300	12"	78	325		411	625	20.0	28.0	290	362		297	120	102	206
DN350	14"	78	365		451	743	23.0	28.0	332	400		297	180	140	270
DN400	16"	87	395		481	773		35.0	387			297	180	140	270
DN450	18"	106	435		525	843		35.0	436			297	180	140	325
DN500	20"	130	470		560			42.0	487			350	210	170	325
DN600	24"	150	560		650			50.0	580			350	210	170	