

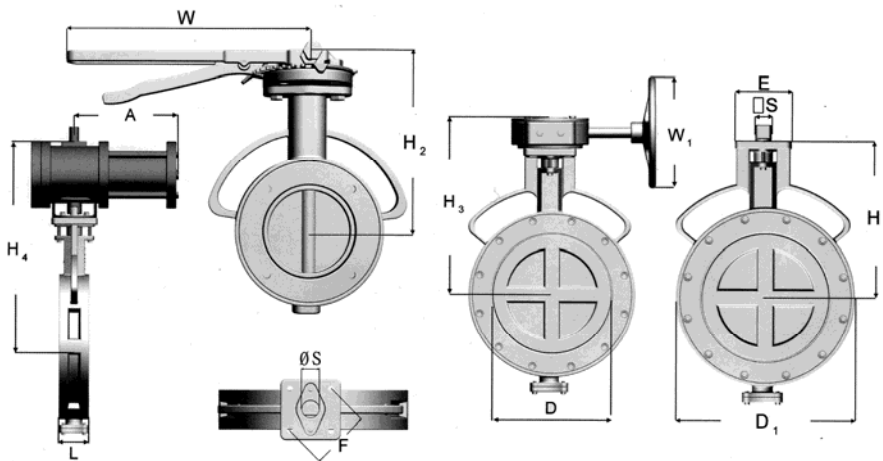
BV1DE Double Eccentric Butterfly Valve

Features

1. End Flange: ANSI B16.5 150#, JIS 10K, JIS16K, PN10, PN16
2. Investment casting
3. Blow-out proof stem

Options

1. Carbon/ Stainless steel body construction
2. Handle Operator, Gear Operator or Actuator



Material List

NO.	Parts name	Material
1	Gland	316
2	Packing	PTFE
3	Packing	Graphite
4	Stem	304, 316
5	Body	304, 316, 316L, WCB
6	Taper Pin	304, 316
7	Disc	304, 316
8	Teflon Seat	RPTFE
9	Retainer	316
10	Packing	PTFE
11	Bottom Cover	304, 316

Dimensions

MM	INCH	L	H1	H2	H3	H4	□ S	□ S	Ø S	D	D1	W	W1	E	F	A
DN50	2"	43	140	168	203	219	11	9.0	12.7	43	90	250	197	92	70	144.3
DN65	2-1/2"	43	145	173	208	224	11	9.0	12.7	59	118	250	197	92	70	144.3
DN80	3"	46	155	183	218	234	11	9.0	12.7	72	130	250	197	92	70	144.3
DN100	4"	53	178	206	241	276	14	12.5	16.0	92	154	250	197	92	70	150.0
DN125	5"	56	188	216	251	309	14	12.5	16.0	114	195	250	197	92	70	183.0
DN150	6"	56	210	240	273	331	14	12.5	19.0	147	215	345	197	92	70	183.0
DN200	8"	60	240	270	303	381	19	15.0	25.0	196	264	345	197	92	70	260.0
DN250	10"	68	291		370	467	22	15.0	30.0	246	330		297	120	102	304.0
DN300	12"	78	310		389	506	22	16.0	32.0	294	374		297	120	102	365.0
DN350	14"	78	323		402	519	27	20.0	32.0	320	415		297	180	125	365.0
DN400	16"	102	360		440	604	36	23.0	40.0	380	480		297	180	140	490.0
DN450	18"	114	417		498	661	36		45.0	430	534		297	180	140	490.0
DN500	20"	127	443		529		46		60.0	468	586		350	210	165	
DN600	24"	154	528		618		46		60.0	578	696		350	210	165	