

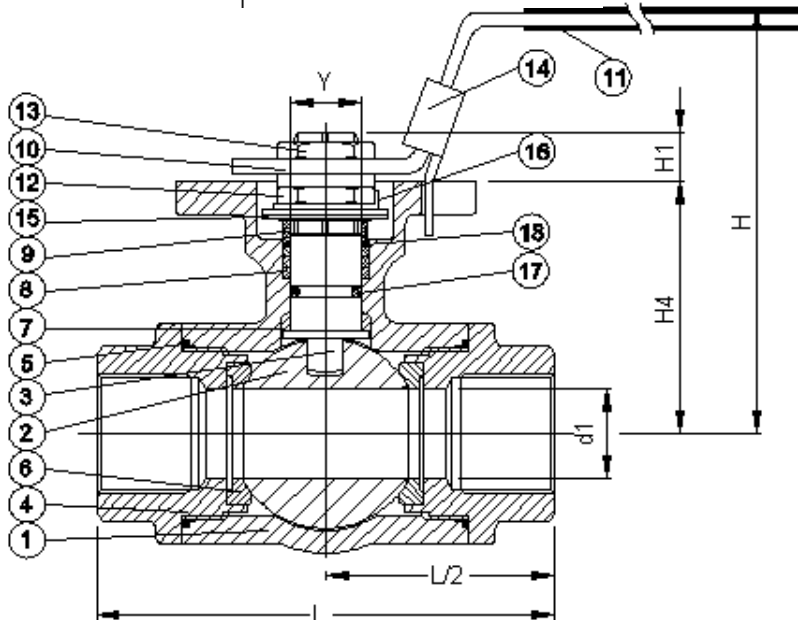
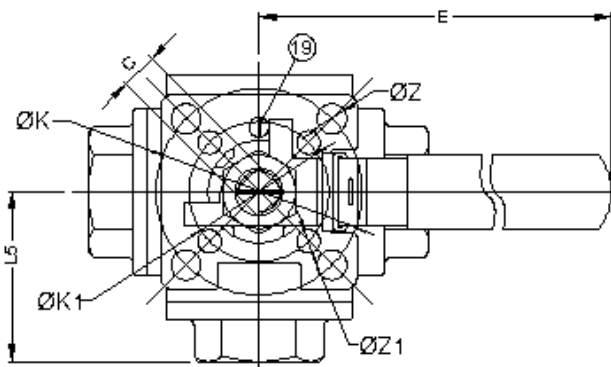
## 3W3DL/ 3W3DT 3-Way Ball Valve 1000WOG, STD Port, Direct Mount, L-Port/ T-Port

### Features

1. Thread ends: NPT, BSPP, BSPF, BSPT, PT
2. Investment casting
3. Blow-out proof stem
4. Pressure: 1000WOG

### Options

1. Carbon/ Stainless steel body construction
2. Locking device is available if requested



TURN PORT	0°	90°	180°	270°
L				
T				

### Material List

NO.	PART NAME	MATERIAL
1	BODY	SS316
2	BALL	SS316
3	STEM	SS316
4	CAP	SS316
5	BODY SEAL	RTFE.
6	SEAT	RTFE.
7	THRUST WASHER	RTFE.
8	STEM PACKING	RTFE.
9	GLAND BUSH	SS304
10	HANDLE	SS304
11	HANDLE COVER	PLASTIC
12	STEM NUT	SS304
13	HANDLE NUT	SS304
14	LOCKING PAD	SS304
15	BELLEVEILLE WASHER	SS304-CSP
16	STOP WASHER	SS304
17	O-RING	VITON
18	PACKING FOLLOWER	PTFE. + 25%G/F
19	STOP PIN	SS304

### Dimension

SIZE	d1	L	L5	E	H	H1	H4	C	Y	ØK	ØK1	Z	Z1
DN8	1/4"	11.0	75.7	37.3	112.0	77.5	9.0	38.2	9.0	12.0	42.0	6.0	
DN10	3/8"	11.0	75.7	37.3	112.0	77.5	9.0	38.2	9.0	12.0	42.0	6.0	
DN15	1/2"	12.7	75.7	37.3	112.0	77.5	9.0	38.2	9.0	12.0	42.0	6.0	
DN20	3/4"	16.0	86.6	44.7	112.0	82.0	9.0	45.2	9.0	12.0	42.0	6.0	
DN25	1"	20.0	102.4	51.4	136.5	93.7	11.0	56.5	11.0	15.8	50.0	7.1	
DN32	1-1/4"	25.0	118.2	57.7	188.0	101.1	11.0	61.9	11.0	15.8	50.0	7.1	
DN40	1-1/2"	32.0	125.8	62.7	197.5	120.3	14.3	78.3	14.0	20.8	70.0	9.2	7.1
DN50	2"	38.1	149.0	74.6	197.5	129.9	14.0	87.4	14.0	20.8	70.0	9.2	7.1