

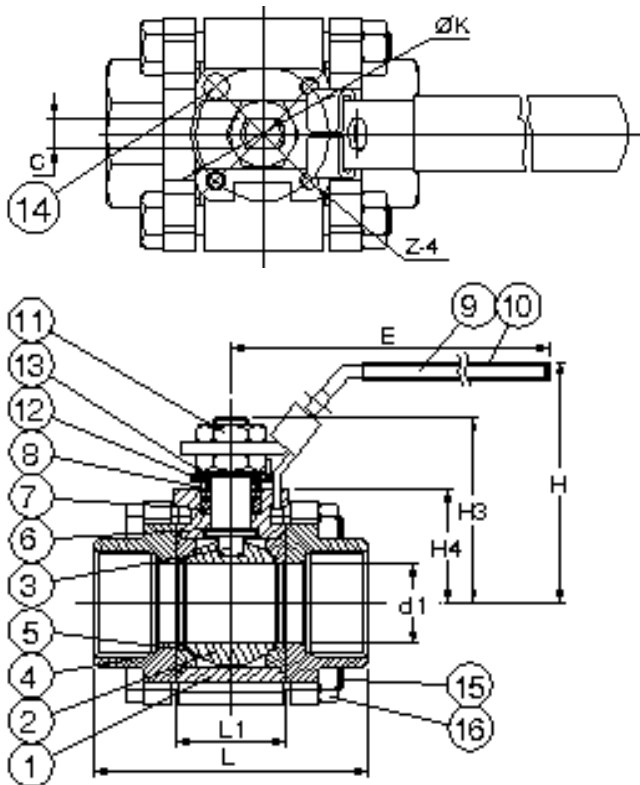
VBM3E 3 Piece Ball Valve 1500/2000WOG, STD Port, ISO5211 Direct Mount

Features

1. Thread ends: NPT, BSPP, BSPF, BSPT, PT
2. Investment casting
3. Blow-out proof stem
4. Pressure: 1/2"~1-1/4" :2000WOG
1-1/2"~2-1/2" :1500WOG
3"~4" :1000WOG

Options

1. Carbon/ Stainless steel body construction
2. Locking device is available if requested



Material List

NO.	PART NAME	MATERIAL
1	BODY	SS316
2	BALL	SS316
3	STEM	SS316
4	END CAP	SS316
5	SEAT	PTFE
6	THRUST WASHER	PTFE
7	STEM PACKING	PTFE
8	GLAND	SS304
9	HANDLE	SS304
10	HANDLE COVER	PLASTIC
11	HANDLE NUT	SS304
12	BELLEVILLE WASHER	SS301
13	TAB WASHER	SS304
14	STOP PIN	SS304
15	BODY BOLT	SS304
16	BOLT NUT	SS304

Dimension

SIZE	d1	L	E	H	H3	H4	C	ØK	Z-4	L1
1/2"	12.5	57.5	102.0	64.0	46.9	31.6	5.0	36.0	M5xP0.8	22.5
3/4"	15.0	69.4	102.0	64.0	46.9	31.6	5.0	36.0	M5xP0.8	22.5
1"	20.0	77.5	102.0	67.0	50.2	33.8	5.0	36.0	M5xP0.8	27.5
1-1/4"	25.0	86.0	145.0	76.0	56.0	35.5	8.0	42.0	M5xP0.8	34.0
1-1/2"	32.0	99.5	145.0	80.0	61.3	40.3	8.0	42.0	M5xP0.8	42.5
2"	38.0	112.6	162.0	92.0	75.0	46.5	10.0	50.0	M6xP1.0	52.0
2-1/2"	50.0	128.6	162.0	101.0	83.0	55.5	10.0	50.0	M6xP1.0	63.5

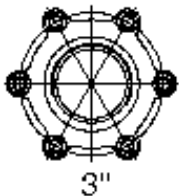
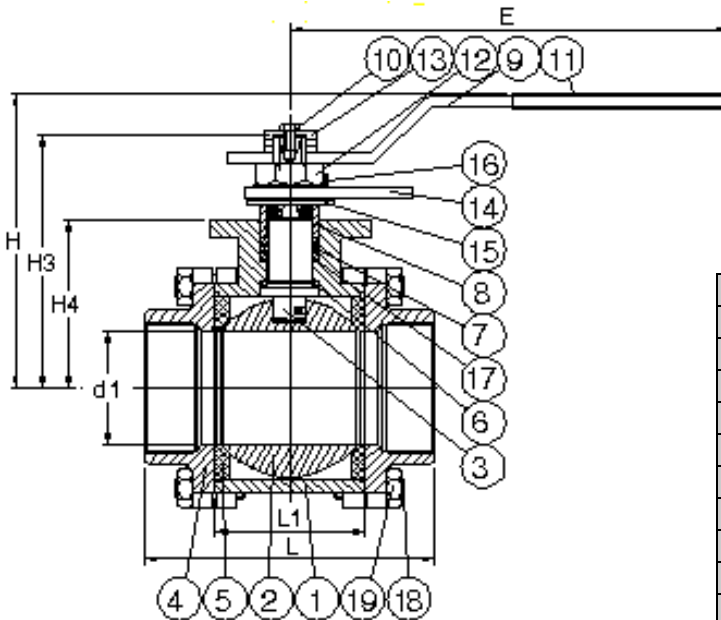
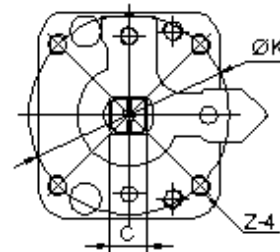
VBM3E 3PC Ball Valve 1500/2000WOG, STD Port, ISO5211 Direct Mount

Features

1. Thread ends: NPT, BSPP, BSPF, BSPT, PT
2. Investment casting
3. Blow-out proof stem
4. Pressure: 1/2"~1-1/4" :2000WOG
1-1/2"~2-1/2" :1500WOG
3"~4" :1000WOG

Options

3. Carbon/ Stainless steel body construction
4. Locking device is available if requested



Material List

NO.	PART NAME	MATERIAL
1	BODY	SS316
2	BALL	SS316
3	STEM	SS316
4	END CAP	SS316
5	SEAT	PTFE
6	THRUST WASHER	PTFE
7	STEM PACKING	NRG
8	GLAND BUSH	SS304
9	HANDLE	SS304
10	STE SCREW	SS304
11	HANDLE COVER	PLASTIC
12	STEM NUT	SS301
13	HANDLE WASHER	SS304
14	STOP PLATE	SS304
15	BELLEVILLE WASHER	SS304-CSP
16	TAB WASHER	SS304
17	PACKING FOLLOWER	SS304
18	BODY BOLT	SS304
19	BOLT NUT	SS304

Dimension

SIZE	d1	L	E	H	H3	H4	C	ØK	Z-4	L1
3"	65.0	180.0	265.0	168.0	144.0	96.0	18.9	102.0	M10Xp1.5	102.0
4"	80.0	206.0	265.0	176.6	152.6	104.5	18.9	102.0	M10xP1.5	128.5