

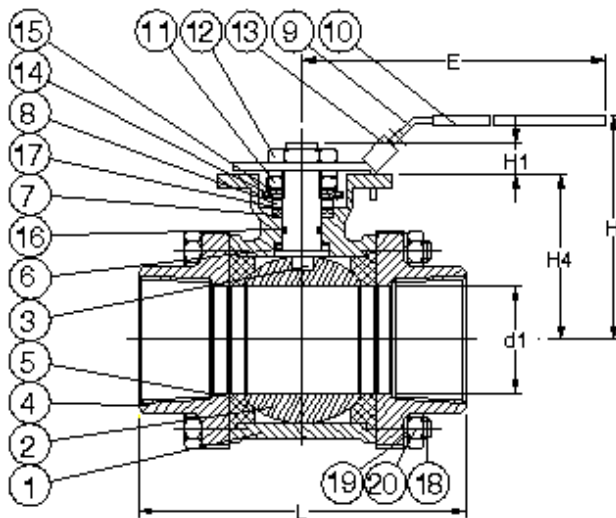
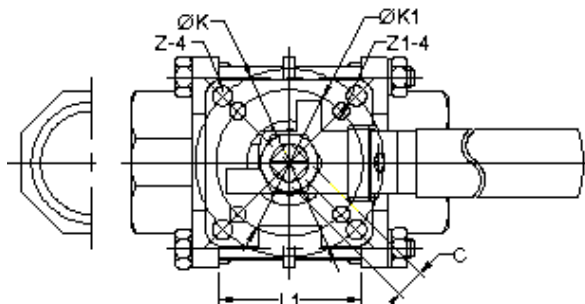
VBM3D 3 Piece Ball Valve 1000WOG, Full Port, ISO5211 Direct Mount

Features

1. Thread ends: NPT, BSPP, BSPF, BSPT, PT
2. Investment casting
3. Blow-out proof stem
4. Pressure: 1/4"~2" : 1000WOG
2-1/2"~4" : 800WOG

Options

1. Carbon/ Stainless steel body construction
2. Locking device is available if requested
3. Butt-weld end model : VBM3DB



Material List

NO.	PART NAME	MATERIAL
1	BODY	SS316
2	BALL	SS316
3	STEM	SS316
4	END CAP	SS316
5	SEAT	RTFE
6	THRUST WASHER	RTFE
7	STEM PACKING	RTFE
8	GLAND BUSH	SS304
9	HANDLE	SS304
10	HANDLE COVER	PLASTIC
11	STEM NUT	SS304
12	HANDLE NUT	SS304
13	LOCKING PAD	SS304
14	BEVELILLE WASHER	SS304-CSP
15	TAB WASHER	SS304
16	O-RING	VITON
17	PACKING FOLLOWER	PTFE + 25% G.F.
18	BODY BOLT	SS304
19	BOLT WASHER	SS304
20	BOLT NUT	SS304

Dimension

SIZE	d1	L	E	H	H1	H4	C	ØK	ØK1	Z-4	Z1-4	L1
1/4"	11.5	63.5	112.0	73.0	8.5	37	9.0	50.0	36.0	7.0	6.0	22.5
3/8"	12.5	63.5	112.0	73.0	8.5	37	9.0	50.0	36.0	7.0	6.0	22.5
1/2"	15.0	63.5	112.0	73.0	8.5	37	9.0	50.0	36.0	7.0	6.0	22.5
3/4"	20.0	72.5	112.0	80.8	8.5	45.0	9.0	50.0	36.0	7.0	6.0	27.5
1"	25.0	81.0	136.0	90.5	11.4	53.5	9.0	50.0	36.0	7.0	6.0	34.0
1-1/4"	32.0	94.5	185.0	98.7	11.4	59.0	9.0	50.0	36.0	7.0	6.0	42.5
1-1/2"	38.0	108.0	197.9	115.3	14.0	74.8	14.0	70.0	50.0	9.0	7.0	52.0
2"	50.0	121.5	197.9	124.0	13.7	83.5	14.0	70.0	50.0	9.0	7.0	63.5
2-1/2"	65.0	157.5	267.0	155.0	18.0	108.8	17.0	102.0	70.0	11.0	9.0	85.5
3"	80.0	190.0	267.0	208.5	18.0	118.3	17.0	102.0	70.0	11.0	9.0	102.0
4"	100.0	225.0	325.0	216.7	18.0	153.8	17.0	102.0	70.0	11.0	9.0	128.5