

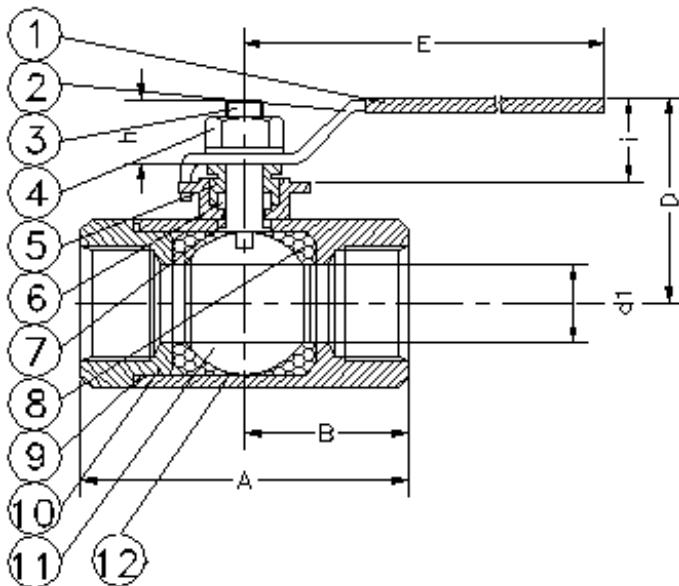
## VBR2 2 Piece Ball Valve 1500/2000WOG, STD Port

### Features

1. Thread ends: NPT, BSPP, BSPF, BSPT, PT
2. Investment casting
3. Blow-out proof stem
4. Pressure: 1/4"~1" : 2000WOG  
1-1/4"~2" : 1500WOG

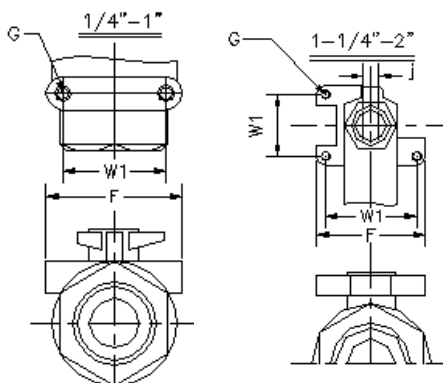
### Options

1. Carbon/ Stainless steel body construction
2. Locking device is available if requested



### Material List

NO.	PART NAME	MATERIAL	
		STAINLESS STEEL	CARBON STEEL
1	HANDLE COVER	PLASTIC	PLASTIC
2	HANDLE	SS304	SS304
3	STEM	SS316	SS316
4	HANDLE NUT	SS304	SS304
5	GLAND	SS304	SS304
6	PACKING	PTFE	PTFE
7	THRUST WASHER	PTFE	PTFE
8	SEAT	PTFE+15%G/F	PTFE+15%G/F
9	GASKET	PTFE	PTFE
10	CAP	SS316	WCB
11	BALL	SS316	SS316
12	BODY	SS316	WCB



### Dimension

SIZE	A	B	d1	D	E	F	G	W1	h	i	j
1/4"	52.6	25.5	11.5	54.5	97	39	W3/16-24	28.2	11	30	5.2
3/8"	56.5	25.5	12.5	54.5	97	39	W3/16-24	28.2	11	30	5.2
1/2"	59.2	28.5	12.7	54.5	97	39	W3/16-24	28.2	11	30	5.2
3/4"	78.9	38.1	17.5	64.1	119	46	W3/16-24	34.7	12	32.9	6.2
1"	84.9	40.8	22.3	67.1	119	46	W3/16-24	34.7	12	33.1	6.2
1-1/4"	102.6	51.3	25.4	84.5	144	50	W1/4-20	35.6	20	40.8	9.3
1-1/2"	110.6	54.7	31.8	84.6	144	50	W1/4-20	35.6	20	41	9.3
2"	136.1	67.2	38.1	105	180	50	W1/4-20	35.6	20	51.8	9.3