

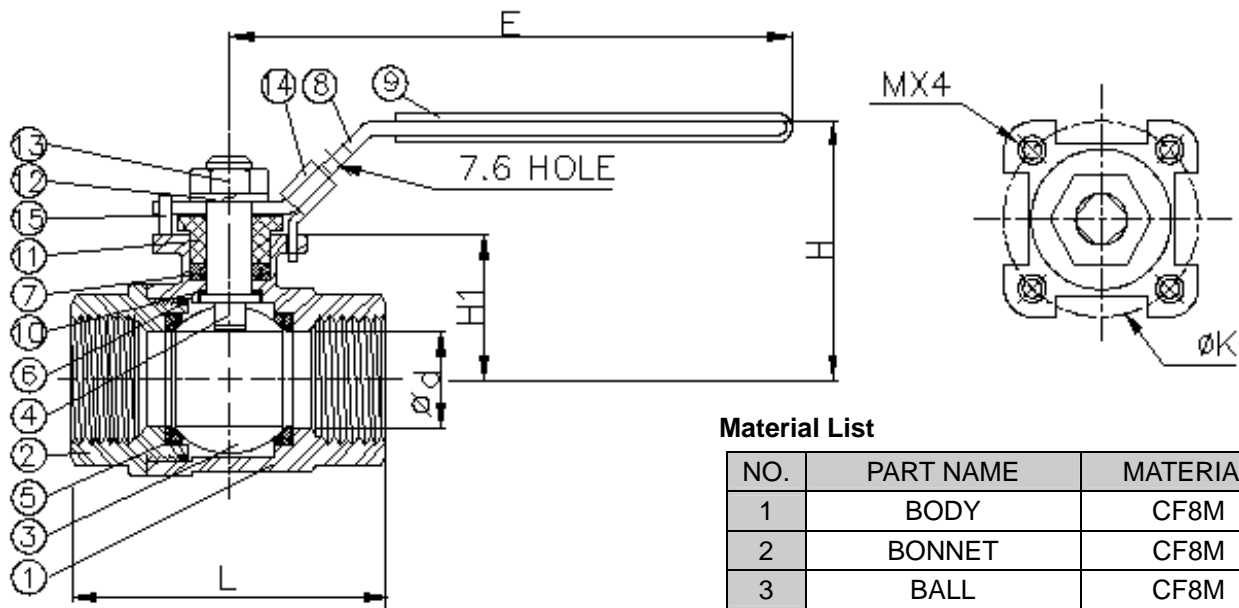
VBM2H 2 Piece Ball Valve 3000WOG, Full Port

Features

- 1. Thread ends: NPT, BSPP, BSPF, BSPT, PT
- 2. Investment casting
- 3. Blow-out proof stem
- 4. Pressure: 3000WOG

Options

- 1. Locking device is available if requested



Material List

NO.	PART NAME	MATERIAL
1	BODY	CF8M
2	BONNET	CF8M
3	BALL	CF8M
4	STEM	SS316
5	BALL SEATS	TFM1600
6	END SEAL	PTFE
7	STEM PACKINGS	PTFE
8	HANDLE	STAINLESS STEEL
9	HANDLE SLEEVE	VINYL GRIP
10	THRUST WASHER	PTFE
11	GLAND	SS304
12	WASHER	SS304
13	HANDLE NUT	SS304
14	LOCKING PLATE	STAINLESS STEEL
15	STOP PIN	SS304

Dimension

SIZE	Ød	E	M	ØK	H1	H	L
1/4"	12.5	120	M5	36	24	50	60
3/8"	12.5	120	M5	36	24	50	60
1/2"	15	120	M5	36	29	55	75
3/4"	20	145	M5	42	32.5	65	80
1"	25.4	145	M5	42	38	72	90
1-1/4"	32	178	M6	50	50	85	110
1-1/2"	38.1	178	M6	50	54	90	120
2"	50	178	M6	50	63	98	140