

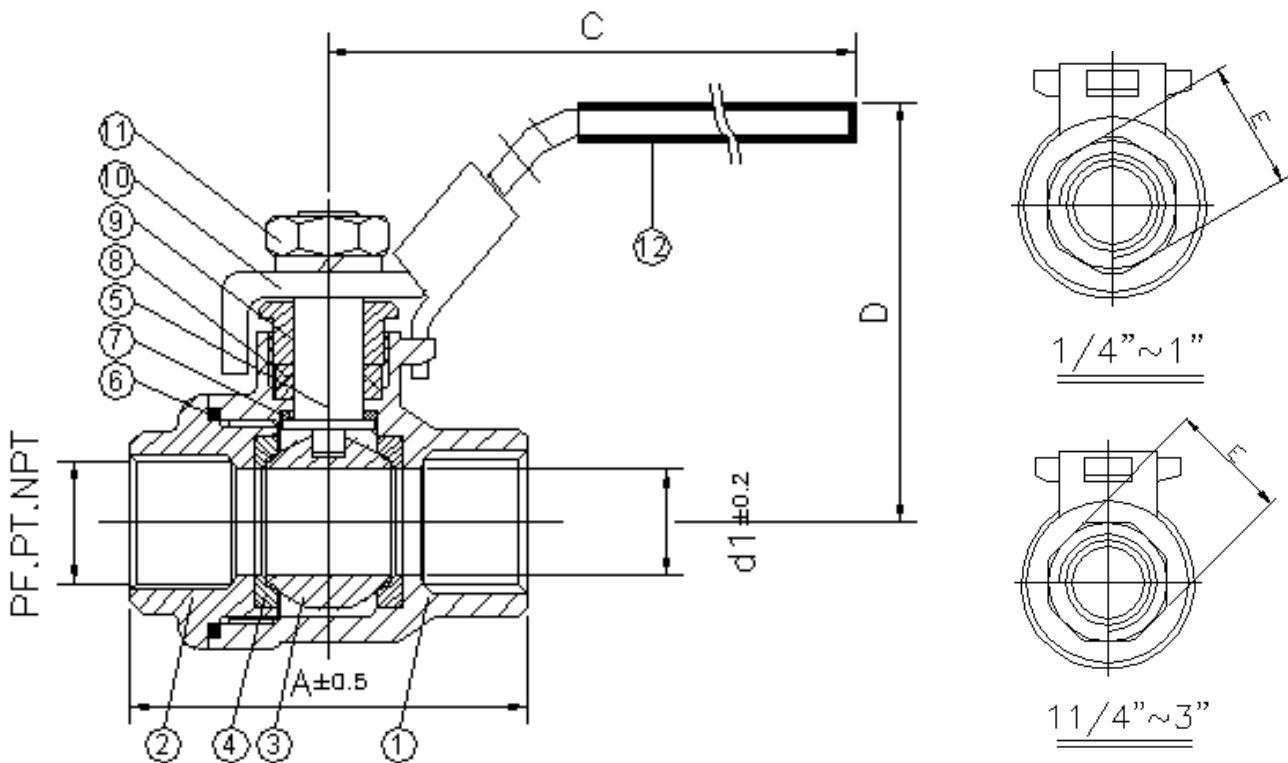
**VBM2C 2 Piece Ball Valve 1000WOG, Full Port**

**Features**

1. Thread ends: NPT, BSPP, BSPF, BSPT, PT
2. Investment casting
3. Blow-out proof stem
4. Pressure: 1000WOG

**Options**

1. Carbon/ Stainless steel body construction
2. Locking device is available if requested



**Material List**

NO.	PART NAME	MATERIAL	
1	BODY	CF8M	CF3M
2	CAP	CF8M	CF3M
3	BALL	CF8M	CF3M
4	BALL SEAT	PTFE	PTFE
5	STEM	SS316	SS316L
6	GASKET	PTFE	PTFE
7	THRUST WASHER	PTFE	PTFE
8	STEM PACKING	PTFE	PTFE
9	GLAND	SS304	SS304
10	HANDLE	SS304	SS304
11	HANDLE NUT	SS304	SS304
12	HANDLE COVER	PLASTIC	PLASTIC

**Dimension**

SIZE	A	d1	C	D	E
1/4"	46.6	11.5	75	50	21.5
3/8"	46.6	12.5	75	50	21.5
1/2"	56.3	15.0	85	56.5	24
3/4"	61.5	20.0	85	60.5	31.5
1"	75.5	24	110	68.8	40
1-1/4"	85.8	31	110	75	49
1-1/2"	94.8	37	140	83.5	55
2"	114.2	50	140	95	67
2-1/2"	139.8	62	185	127.3	84
3"	156.4	75	200	136.1	98