

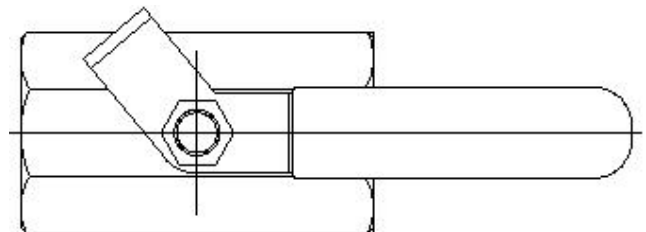
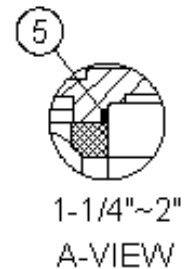
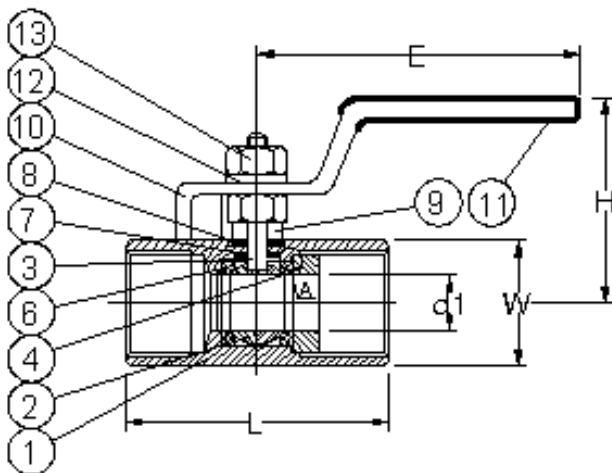
VBV1 1 Piece Ball Valve 1500WOG/ 2000WOG, Reduced Port

Features

1. Thread ends: NPT, BSPP, BSPF, BSPT, PT
2. Investment casting
3. Blow-out proof stem
4. Pressure: 1/4"~1" :2000WOG
1-1/4"~2" :1500WOG

Options

1. Carbon/ Stainless steel body construction
2. Oval/ Butterfly handle is available if requested



Material List

| NO. | PART NAME | MATERIAL |
|-----|---------------|----------------|
| 1 | BODY | SS316 |
| 2 | BALL | SS316/CF8M |
| 3 | STEM | SS316 |
| 4 | INSERT | SS316 |
| 5 | BODY SEAL | PTFE |
| 6 | SEAT | PTFE + 15%G.F. |
| 7 | THRUST WASHER | PTFE |
| 8 | STEM PACKING | PTFE |
| 9 | GLAND BUSHING | SS304 |
| 10 | HANDLE | SS304 |
| 11 | HANDLE COVER | PLASTIC |
| 12 | SPRING WASHER | SS304 |
| 13 | HANDLE NUT | SS304 |

Dimension

| SIZE | d1 | L | E | H | W |
|--------|------|-------|-------|------|------|
| 1/4" | 5.0 | 41.3 | 61.0 | 29.5 | 21.0 |
| 3/8" | 7.2 | 46.0 | 79.0 | 34.5 | 23.0 |
| 1/2" | 9.2 | 57.2 | 108.0 | 56.0 | 29.0 |
| 3/4" | 12.5 | 65.1 | 110.0 | 65.0 | 35.0 |
| 1" | 15.0 | 76.2 | 122.0 | 68.0 | 41.0 |
| 1-1/4" | 20.0 | 92.1 | 145.0 | 79.5 | 55.0 |
| 1-1/2" | 24.5 | 98.4 | 148.0 | 84.0 | 57.0 |
| 2" | 32.0 | 114.3 | 148.0 | 92.5 | 73.5 |