

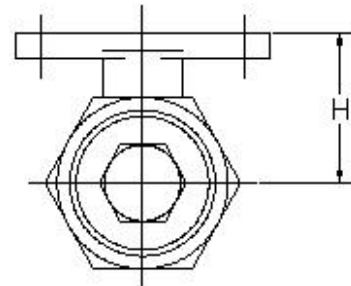
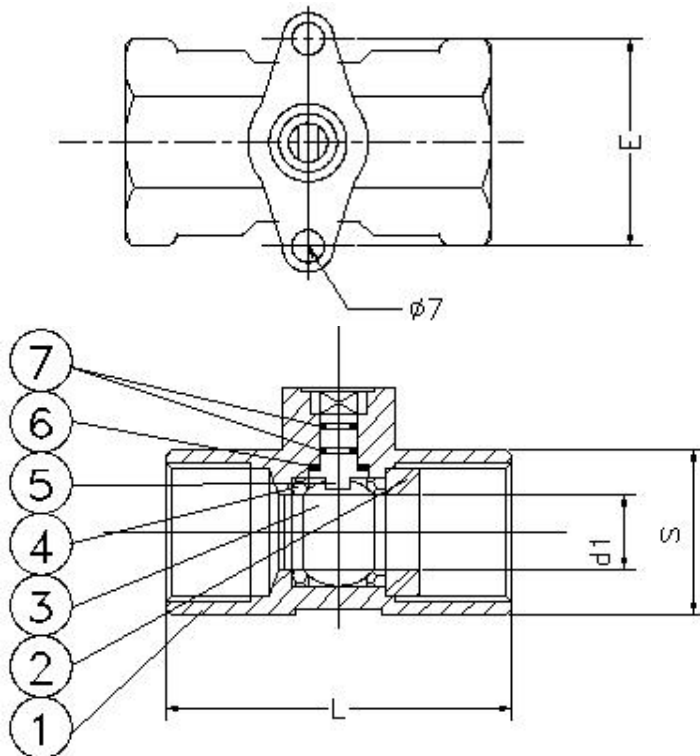
VBR1D 1 Piece Ball Valve 800WOG, Reduced Port, Direct Mount

Features

1. Thread ends: NPT, BSPP, BSPF, BSPT, PT
2. Investment casting
3. Blow-out proof stem
4. Pressure: 800WOG

Options

1. Carbon/ Stainless steel body construction
2. Oval/ Butterfly handle is available if requested



Material List

NO.	PART NAME	MATERIAL
1	BODY	SS316
2	CAP	SS316
3	BALL	SS316
4	SEAT	PTFE
5	THRUST WASHER	PTFE
6	STEM	SS316
7	O RING	VITON

Dimension

SIZE	d1	L	H	E	S
1/4"	5.0	39	26	38.5	17
3/8"	7.2	44	27	38.5	19
1/2"	9.2	56.5	26.5	38.5	25
3/4"	12.5	59	28.5	38.5	32
1"	15	71	32.5	38.5	38
1-1/4"	20	78	36	38.5	49
1-1/2"	25	83	41.5	38.5	53
2"	32	100	47	38.5	64