

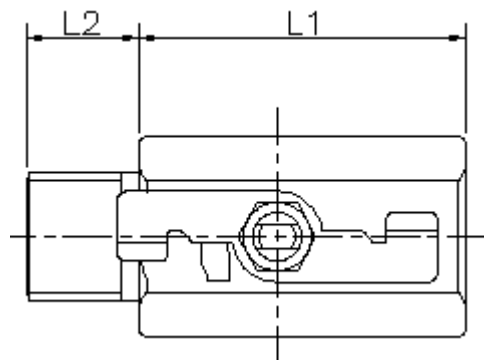
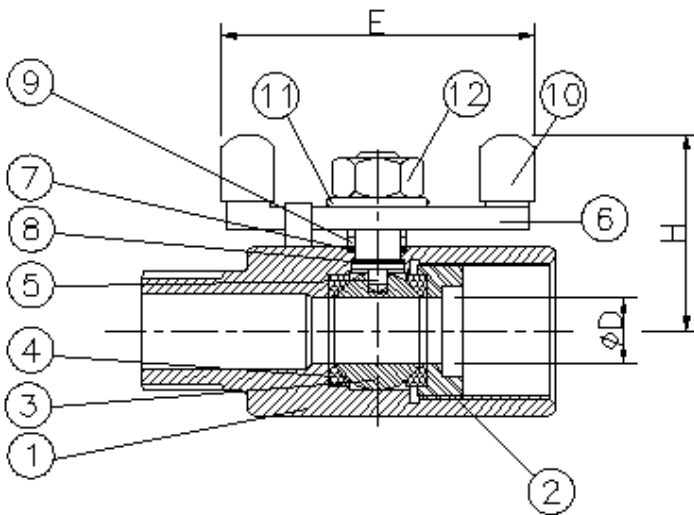
## VBB1 1 Piece Ball Valve 1000WOG, Reduced Port, Butterfly Handle, Male x Female

### Features

1. Thread ends: NPT, BSPP, BSPF, BSPT, PT
2. Investment casting
3. Blow-out proof stem
4. Pressure: 1000WOG

### Options

1. Carbon/ Stainless steel body construction
2. Oval/ Butterfly handle is available if requested



### Dimension

| SIZE | ØD±0.5 | L1±1.0 | L2±1.0 | H±3.0 | E±3.0 | WT/KG |
|------|--------|--------|--------|-------|-------|-------|
| 1/4" | 5      | 34     | 12     | 24    | 48.5  | 0.07  |
| 3/8" | 7      | 35.5   | 15     | 28    | 51.5  | 0.12  |
| 1/2" | 9.2    | 42     | 18.5   | 30    | 55.5  | 0.20  |
| 3/4" | 12.7   | 43     | 18.5   | 34    | 55.5  | 0.29  |

### Material List

| NO | PART NAME     | MATERIAL    |
|----|---------------|-------------|
| 1  | BODY          | SS316       |
| 2  | SEAT RETAINER | SS316       |
| 3  | BALL          | SS316       |
| 4  | SEAT          | PTFE (RTFE) |
| 5  | STEM          | SS316       |
| 6  | HANDLE        | SS304       |
| 7  | STEM PACKING  | PTFE        |
| 8  | THRUST WASHER | PTFE        |
| 9  | GLAND RING    | SS304       |
| 10 | PLASTIC COVER | PLASTIC     |
| 11 | SPRING WASHER | SS304       |
| 12 | NUT           | SS304       |