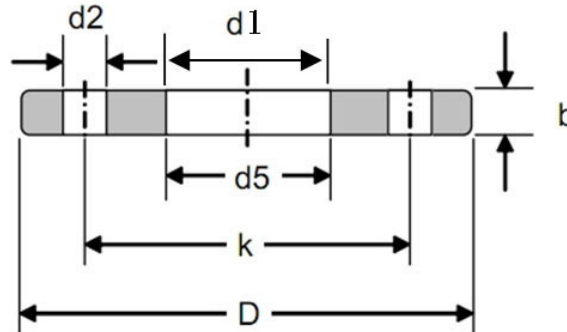


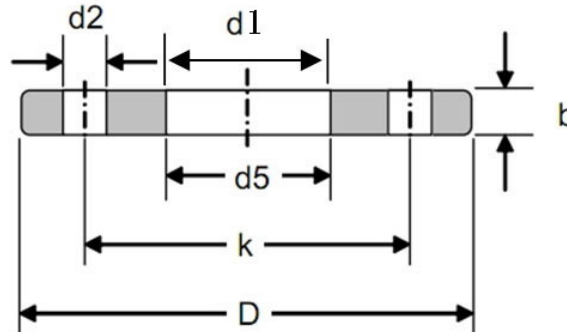
DIN 2502 Flat Flange For Welding (Slip On) PN16



DN	ISO	DIN (d1)	d5	D	b	k	No. of Holes	d2	KG
10	-	14.0	14.5	90	16	60	4	14	0.61
	17.2	-	17.7	90	16	60	4	14	0.60
15	-	20.0	21.0	95	16	65	4	14	0.67
	21.3	-	22.0	95	16	65	4	14	0.67
20	-	25.0	26.0	105	18	75	4	14	0.94
	26.9	-	27.6	105	18	75	4	14	0.94
25	-	30.0	31.0	115	18	85	4	14	1.13
	33.7	-	34.4	115	18	85	4	14	1.11
32	-	38.0	39.0	140	18	100	4	18	1.66
	42.4	-	43.1	140	18	100	4	18	1.62
40	-	44.5	45.5	150	18	110	4	18	1.89
	48.3	-	49.0	150	18	110	4	18	1.85
50	-	57.0	58.1	165	18	125	4	18	2.50
	60.3	-	61.1	165	18	125	4	18	2.46
65	76.1	-	77.1	185	22	145	8	18	2.99
80	88.9	-	90.3	200	24	160	8	18	3.61
100	-	108.0	109.6	220	20	180	8	18	4.17
	114.3	-	115.9	220	20	180	8	18	3.99
125	-	133.0	134.8	250	22	210	8	18	5.66
	139.7	-	141.6	250	22	210	8	18	5.41
150	-	159.0	161.1	285	22	240	8	22	6.97
	168.2	-	170.5	285	22	240	8	22	6.55
175	193.7	-	196.10	315	24	270	8	22	8.42
200	219.1	-	221.8	340	24	295	12	22	8.97
250	-	267.0	270.2	405	26	355	12	26	13.29
	273.0	-	276.2	405	26	355	12	26	12.76
300	323.9	-	327.6	460	28	410	12	26	16.60
350	355.6	-	359.7	520	30	470	16	26	24.08
	-	368	372.2	520	30	470	16	26	22.39
400	406.4	-	411.0	580	32	525	16	30	30.20
	-	419	423.7	580	32	525	16	30	28.11
450	457.0	-	462.3	640	38	585	20	30	41.67
500	508.0	-	513.6	715	38	650	20	33	52.87
600	610.0	-	616.5	840	42	770	20	36	77.58
700	711.0	-	716.0	910	44	840	24	36	77.13
800	813.0	-	818.0	1025	50	950	24	39	106.35
900	914.0	-	920.0	1125	54	1050	28	39	125.39
1000	1016.0	-	1022.0	1255	60	1170	28	42	177.99

Dimensions in millimeter (mm).
For DN10-DN80 use PN40.

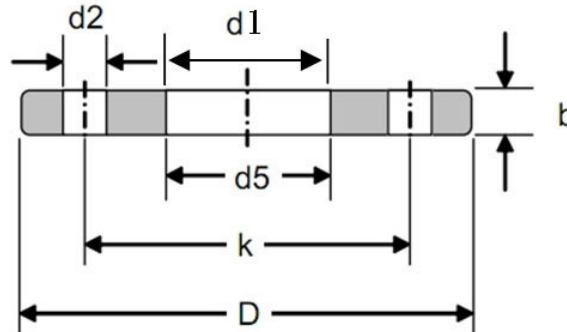
DIN 2503 Flat Flange For Welding (Slip On) PN25



DN	Pipe OD		d5	D	b	k	No. of Holes	d2	KG
	ISO	DIN							
10	-	14.0	14.5	90	16	60	4	14	0.61
	17.2	-	17.7	90	16	60	4	14	0.60
15	-	20.0	21.0	95	16	65	4	14	0.67
	21.3	-	22.0	95	16	65	4	14	0.67
20	-	25.0	26.0	105	18	75	4	14	0.94
	26.9	-	27.6	105	18	75	4	14	0.94
25	-	30.0	31.0	115	18	85	4	14	1.13
	33.7	-	34.4	115	18	85	4	14	1.11
32	-	38.0	39.0	140	18	100	4	18	1.66
	42.4	-	43.1	140	18	100	4	18	1.62
40	-	44.5	45.5	150	18	110	4	18	1.89
	48.3	-	49.0	150	18	110	4	18	1.85
50	-	57.0	58.1	165	18	125	4	18	2.50
	60.3	-	61.1	165	18	125	4	18	2.46
65	76.1	-	77.1	185	22	145	8	18	2.99
80	88.9	-	90.3	200	24	160	8	18	3.61
100	-	108.0	109.6	235	24	190	8	22	5.82
	114.3	-	115.9	235	24	190	8	22	5.61
125	-	133.0	134.8	270	26	220	8	26	7.91
	139.7	-	141.6	270	26	220	8	26	7.83
150	-	159.0	161.1	300	28	250	8	26	10.12
	168.2	-	170.5	300	28	250	8	26	9.58
175	193.70	-	196.10	330	28	280	12	26	14.45
200	219.1	-	221.8	360	30	310	12	26	13.60
250	-	267.0	270.2	425	32	370	12	30	19.40
	273.0	-	276.2	425	32	370	12	30	18.45
300	323.9	-	327.6	485	34	430	16	30	23.79
350	355.6	-	359.7	555	38	490	16	33	33.77
	-	368	372.2	555	38	490	16	33	35.63
400	406.4	-	411.0	620	40	550	16	36	48.03
	-	419	423.7	620	40	550	16	36	45.41
500	508.0	-	513.6	730	44	660	20	36	65.97
600	610.0	-	616.5	845	50	770	20	39	93.57
700	711.0	-	716.0	960	52	875	24	42	117.53
800	813.0	-	818.0	1085	56	990	24	48	156.34
900	914.0	-	920.0	1185	62	1090	28	48	188.57
1000	1016.0	-	1022.0	1320	68	1210	28	58	255.79

Dimensions in millimeter (mm).
For DN10-DN150 use PN40.

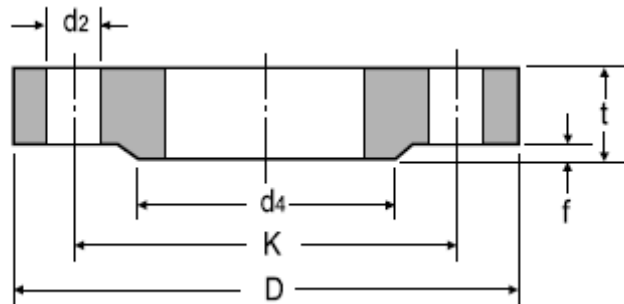
DIN 2503 Flat Flange For Welding (Slip On) PN40



DN	Pipe OD		d5	D	b	k	No. of Holes	d2	KG
	ISO	DIN							
10	-	14.0	14.5	90	16	60	4	14	0.61
	17.2	-	17.7	90	16	60	4	14	0.60
15	-	20.0	21.0	95	16	65	4	14	0.67
	21.3	-	22.0	95	16	65	4	14	0.67
20	-	25.0	26.0	105	18	75	4	14	0.94
	26.9	-	27.6	105	18	75	4	14	0.94
25	-	30.0	31.0	115	18	85	4	14	1.13
	33.7	-	34.4	115	18	85	4	14	1.11
32	-	38.0	39.0	140	18	100	4	18	1.66
	42.4	-	43.1	140	18	100	4	18	1.62
40	-	44.5	45.5	150	18	110	4	18	1.89
	48.3	-	49.0	150	18	110	4	18	1.85
50	-	57.0	58.1	165	18	125	4	18	2.50
	60.3	-	61.1	165	18	125	4	18	2.46
65	76.1	-	77.1	185	22	145	8	18	2.99
80	88.9	-	90.3	200	24	160	8	18	3.61
100	-	108.0	109.6	235	24	190	8	22	5.82
	114.3	-	115.9	235	24	190	8	22	5.61
125	-	133.0	134.8	270	26	220	8	26	7.91
	139.7	-	141.6	270	26	220	8	26	7.83
150	-	159.0	161.1	300	28	250	8	26	10.12
	168.2	-	170.5	300	28	250	8	26	9.58
175	193.7	-	196.1	350	2	295	12	30	14.45
200	219.1	-	221.8	375	34	320	12	30	16.90
250	-	267.0	270.2	450	38	385	12	33	27.28
	273.0	-	276.2	450	38	385	12	33	26.51
300	323.9	-	327.6	515	42	450	16	33	36.38
350	355.6	-	359.7	580	46	510	16	36	52.83
	-	368.0	372.2	580	46	510	16	36	50.24
400	406.4	-	411.0	660	50	585	16	39	74.71
	-	419	423.7	660	50	585	16	39	71.44
500	508.0	-	513.6	755	52	670	20	42	86.87
600	610.0	-	616.5	890	54	795	20	48	121.84
700	711.0	-	716.0	995	58	900	24	48	150.93
800	813.0	-	818.0	1140	64	1030	24	58	219.08
900	914.0	-	920.0	1250	70	1140	28	58	271.16
1000	1016.0	-	1022.0	1360	78	1250	28	58	344.95

Dimensions in millimeter (mm).

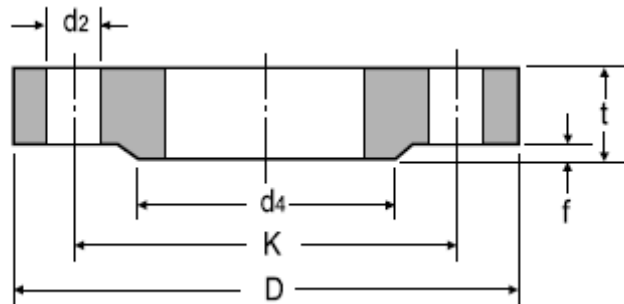
DIN 2543 Flat Flange For Welding (Slip On) PN16



DN	Pipe OD		d4	D	t	f	K φ	No. of Holes	d2	KG
	ISO	DIN								
10	17.2	14	40	90	-	2	60	4	14	0.63
15	21.3	20	45	95	14	2	65	4	14	0.72
20	26.9	25	58	105	16	2	75	4	14	1.01
25	33.7	30	68	115	16	2	85	4	14	1.23
32	42.4	38	78	140	16	2	100	4	18	1.80
40	48.3	44.5	88	150	16	3	110	4	18	2.09
50	60.3	57	102	165	18	3	125	4	18	2.88
65	76.1	-	122	185	18	3	145	4	18	3.66
80	88.9	-	138	200	20	3	160	8	18	4.77
100	114.3	108	158	220	20	3	180	8	18	5.65
125	139.7	133	188	250	22	3	210	8	18	8.42
150	168.3	159	212	285	22	3	240	8	23	10.40
200	219.1	216	268	340	24	3	295	12	23	16.10
250	273	267	320	405	26	3	355	12	27	24.90
300	323.9	318	378	460	28	4	410	12	27	35.10
350	355.6	368	438	520	30	4	470	16	27	47.80
400	406.4	419	490	580	32	4	525	16	30	63.50
500	508	521	610	715	36	4	650	20	33	102.00
600	609.6	622	725	840	40	5	770	20	36	-
700	711.2	720	795	910	-	5	840	24	36	-
800	812.8	820	900	1025	-	5	950	24	39	-
900	914.4	920	1000	1125	-	5	1050	28	39	-
1000	1016	1020	1115	1255	-	5	1170	28	42	-

Dimensions in millimeter (mm).

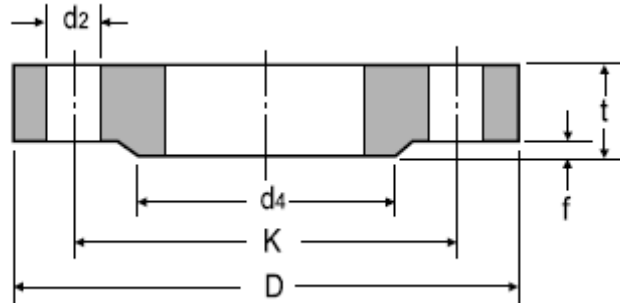
DIN 2544 Flat Flange For Welding (Slip On) PN25



DN	Pipe OD		d4	D	t	f	K φ	No. of Holes	d2	KG
	ISO	DIN								
10	17.2	14	40	90	-	2	60	4	14	0.72
15	21.3	20	45	95	16	2	65	4	14	0.81
20	26.9	25	58	105	18	2	75	4	14	1.24
25	33.7	30	68	115	18	2	85	4	14	1.38
32	42.4	38	78	140	18	2	100	4	18	2.03
40	48.3	44.5	88	150	18	3	110	4	18	2.35
50	60.3	57	102	165	20	3	125	4	18	3.20
65	76.1	-	122	185	22	3	145	4	18	4.29
80	88.9	-	138	200	24	3	160	8	18	5.88
100	114.3	108	162	235	24	3	190	8	23	7.54
125	139.7	133	188	270	26	3	220	8	27	10.80
150	168.3	159	218	300	28	3	250	8	27	14.50
200	219.1	216	278	360	30	3	310	12	27	22.30
250	273	267	335	425	32	3	370	12	30	33.50
300	323.9	318	395	485	34	4	430	16	30	46.30
350	355.6	368	450	555	38	4	490	16	33	68.00
400	406.4	419	505	620	40	4	550	16	36	89.70
500	508	521	615	730	44	4	660	20	36	138.00
600	609.6	622	720	845	-	5	770	20	39	-
700	711.2	720	820	960	-	5	870	24	42	-
800	812.8	820	930	1085	-	5	990	24	48	-
900	914.4	920	1030	1185	-	5	1090	28	48	-
1000	1016	1020	1140	1320	-	5	1210	28	56	-

Dimensions in millimeter (mm).

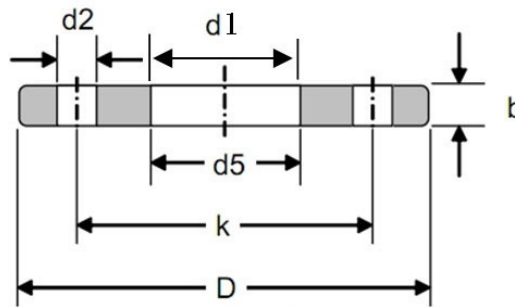
DIN 2545 Flat Flange For Welding (Slip On) PN40



DN	Pipe OD		d4	D	t	f	K φ	No. of Holes	d2	KG
	ISO	DIN								
10	17.2	14	40	90	-	2	60	4	14	0.72
15	21.3	20	45	95	16	2	65	4	14	0.81
20	26.9	25	58	105	18	2	75	4	14	1.24
25	33.7	30	68	115	18	2	85	4	14	1.38
32	42.4	38	78	140	18	2	100	4	18	2.03
40	48.3	44.5	88	150	18	3	110	4	18	2.35
50	60.3	57	102	165	20	3	125	4	18	3.20
65	76.1	-	122	185	22	3	145	4	18	4.29
80	88.9	-	138	200	24	3	160	8	18	5.88
100	114.3	108	162	235	24	3	190	8	23	7.54
125	139.7	133	188	270	26	3	220	8	27	10.80
150	168.3	159	218	300	28	3	250	8	27	14.50
175	193.7	191	260	350	32	3	295	12	30	22.10
200	219.1	216	285	375	34	3	320	12	30	27.20
250	273	267	345	450	38	3	385	12	33	43.80
300	323.9	318	410	515	42	4	450	16	33	63.30
350	355.6	368	465	580	46	4	510	16	36	89.50
400	406.4	419	535	660	50	4	585	16	39	127.00
500	508	521	615	755	52	4	670	20	42	172.00

Dimensions in millimeter (mm).

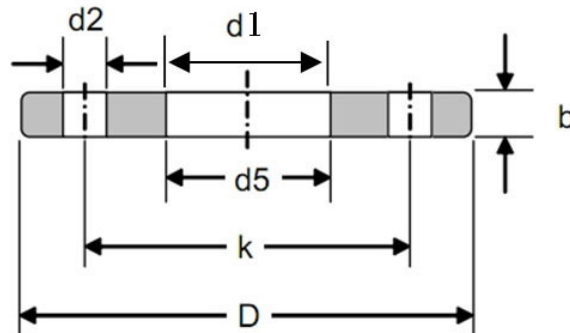
DIN 2573 Flat Flange For Welding (Slip On) PN6



DN	Pipe OD		d5	D	b	k	No. of Holes	d2	KG
	ISO	DIN (d1)							
10	-	14	14.5	75	12	50	4	11	0.36
	17.2	-	17.7	75	12	50	4	11	0.36
15	-	20	21	80	12	55	4	11	0.41
	21.3	-	22	80	12	55	4	11	0.41
20	-	25	26	90	14	65	4	11	0.60
	26.9	-	27.6	90	14	65	4	11	0.59
25	-	30	31	100	14	75	4	11	0.74
	33.7	-	34.4	100	14	75	4	11	0.72
32	-	38	39	120	16	90	4	14	1.19
	42.4	-	43.1	120	16	90	4	14	1.16
40	-	44.5	45.5	130	16	100	4	14	1.39
	48.3	-	49	130	16	100	4	14	1.35
50	-	57	58.1	140	16	110	4	14	1.52
	60.3	-	61.1	140	16	110	4	14	1.49
65	76.1	-	77.1	160	16	130	4	14	1.86
80	88.9	-	90.3	190	18	150	4	14	2.96
100	-	108	109.6	210	18	170	4	18	3.42
	114.3	-	115.9	210	18	170	4	18	3.26
125	-	133	134.8	240	20	200	8	18	4.54
	139.7	-	141.6	240	20	200	8	18	4.31
150	-	159	161.1	265	20	225	8	18	5.34
	168.2	-	170.5	265	20	225	8	18	4.76
200	219.1	-	221.8	320	22	280	8	18	6.87
250	-	267	270.2	325	24	335	12	18	9.42
	273.0	-	276.2	325	24	335	12	18	8.94
300	323.9	-	327.6	440	24	395	12	22	11.91
350	355.6	-	359.7	480	26	445	12	22	16.52
	-	368	372.2	490	26	445	12	22	15.35
400	406.4	-	411	540	28	495	16	22	18.84
	-	419	423.7	540	28	495	16	22	18.01
450	457.0	-	462.3	595	30	550	16	22	24.52
500	508.0	-	513.6	645	30	600	20	22	26.37
600	610.0	-	616.5	755	32	705	20	26	34.80
700	711.0	-	*	860	40 / 36	810	24	26	*
800	813.0	-	*	975	44	920	24	30	*
900	914.0	-	*	1075	48	1020	24	30	*
1000	1016.0	-	*	1175	52	1120	28	30	*
1200	1219.0	-	*	1405	60	1340	32	33	*
1400	1422.0	-	*	1630	72	1560	36	36	*
1600	1626.0	-	*	1830	80	1760	40	36	*
1800	1829.0	-	*	2045	88	1970	44	39	*
2000	2032.0	-	*	2265	96	2180	48	42	*

Dimensions in millimeter (mm).

DIN 2576 Flat Flange For Welding (Slip On) PN10



DN	Pipe OD		d5	D	b	k	No. of Holes	d2	KG
	ISO	DIN (d1)							
10	-	14	14.50	90	14	60	4	14	0.61
	17.2	-	17.70	90	14	60	4	14	0.60
15	-	20	21.00	95	14	65	4	14	0.67
	21.3	-	22.00	95	14	65	4	14	0.67
20	-	25	26.00	105	16	75	4	14	0.94
	26.9	-	27.60	105	16	75	4	14	0.94
25	-	30	31.00	115	16	85	4	14	1.13
	33.7	-	34.40	115	16	85	4	14	1.11
32	-	38	39.00	140	16	100	4	18	1.66
	42.4	-	43.10	140	16	100	4	18	1.62
40	-	44.5	45.50	150	16	110	4	18	1.89
	48.3	-	49.00	150	16	110	4	18	1.85
50	-	57	58.10	165	18	125	4	18	2.50
	60.3	-	61.10	165	18	125	4	18	2.46
65	76.1	-	77.10	185	18	145	4	18	2.99
80	88.9	-	90.30	200	20	160	8	18	3.61
100	-	108	109.60	220	20	180	8	18	4.17
	114.3	-	115.90	220	20	180	8	18	3.99
125	-	133	134.80	250	22	210	8	18	5.66
	139.7	-	141.60	250	22	210	8	18	5.41
150	-	159	161.10	285	22	240	8	22	6.97
	168.3	-	170.50	285	22	240	8	22	6.55
175	193.7	-	196.10	315	24	270	8	22	8.42
200	219.1	-	221.80	340	24	295	8	22	9.28
250	-	267	270.20	395	26	350	12	22	12.36
	273.0	-	276.20	395	26	350	12	22	11.85
300	323.9	-	327.60	445	26	400	12	22	13.61
350	355.6	-	359.70	505	28	460	16	22	20.35
	-	368	372.20	505	28	460	16	22	18.77
400	406.4	-	411.00	565	32	515	18	26	27.52
	-	419	423.70	565	32	515	18	26	35.43
450	457.0	-	462.30	615	38	565	20	26	35.11
500	508.0	-	513.60	670	38	620	20	26	40.20
600	610.0	-	615.50	780	42	725	20	26	51.87
700	711.0	-	*	895	50	840	24	30	*
800	813.0	-	*	1015	56	950	24	33	*
900	914.0	-	*	1115	62	1050	28	33	*
1000	1016.0	-	*	1230	70	1160	28	36	*
1200	1219.0	1220	*	1455	83	1380	32	39	*

Dimensions in millimeter (mm).

For DN10-DN40 use PN40; for DN50-DN200 use PN16.