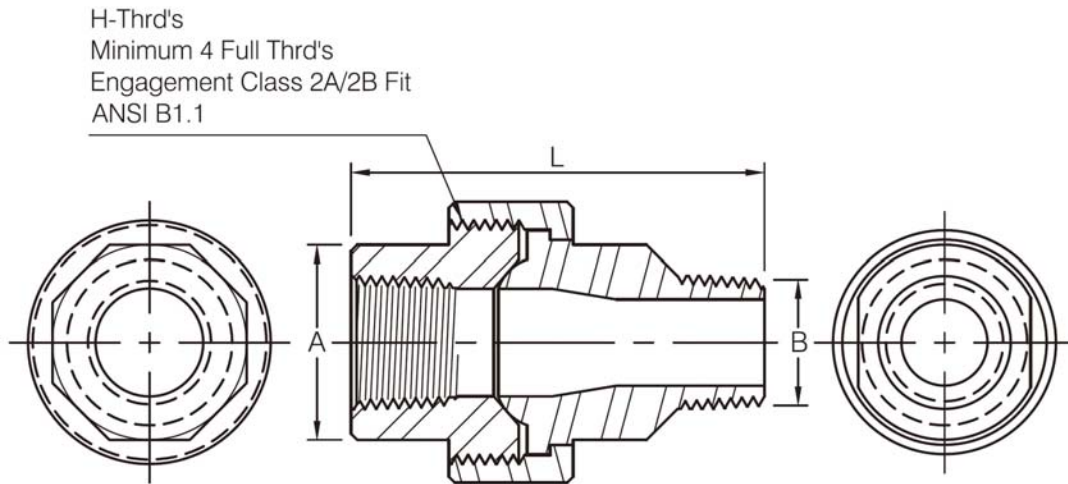


## Union Male x Female Threaded



### 3000Lb

| Nom. Pipe Size | A <sup>(1)</sup><br>(Min) | B    | L     |
|----------------|---------------------------|------|-------|
| 1/4"           | 19.0                      | 13.7 | 55.4  |
| 3/8"           | 22.9                      | 17.1 | 60.0  |
| 1/2"           | 27.7                      | 21.3 | 68.0  |
| 3/4"           | 33.5                      | 26.7 | 75.9  |
| 1"             | 41.4                      | 33.4 | 86.0  |
| 1-1/4"         | 50.5                      | 42.2 | 95.1  |
| 1-1/2"         | 57.2                      | 48.3 | 100.5 |
| 2"             | 70.1                      | 60.3 | 112.1 |

(1) Dimensions refer to MSS SP-83 TABLE 5.