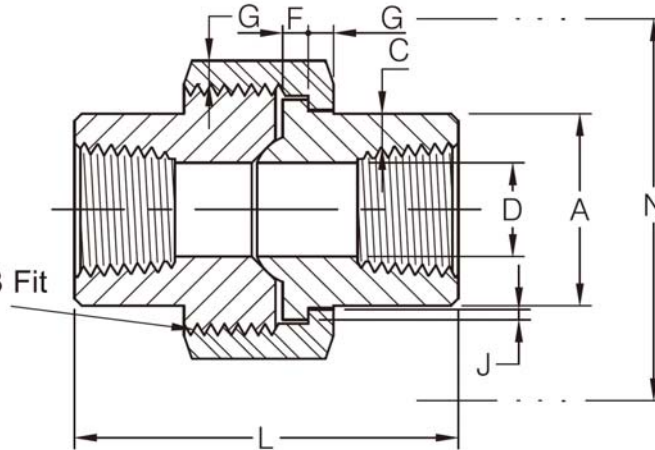


Threaded Union

H-Thrd's
Minimum 4 Full Thrd's
Engagement Class 2A / 2B Fit
ANSI B1.1

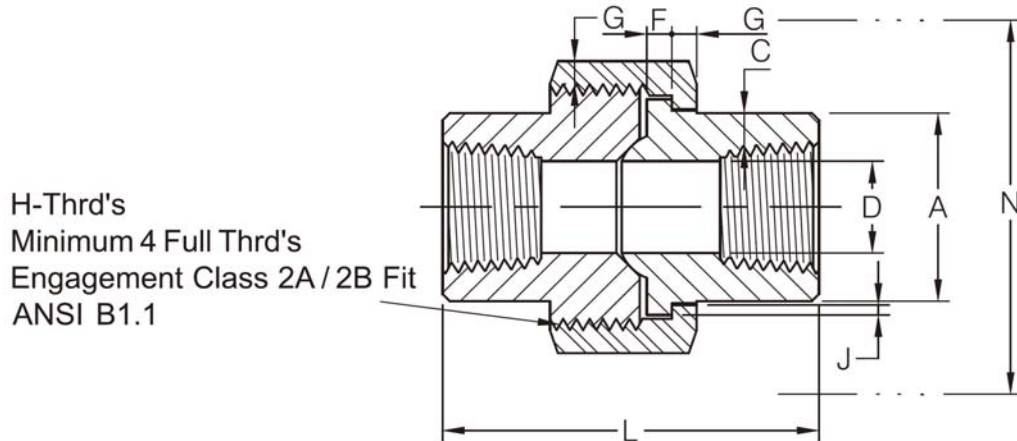


3000Lb

Nom. Pipe Size	Pipe End (Min) A	Wall (Min) C	Water Way Bore D ⁽¹⁾	Male Flange (Min) F	Nut (Min) G	Threads Per 25.4mm H	Bearing (Min) J	Length Assem. Nom. L	Clear Assem. Nut N
1/8"	14.7	2.41	8.43 6.43	3.18	3.18	16	1.24	41.4	50.8
1/4"	19.0	3.02	11.13 9.45	3.18	3.18	16	1.24	41.4	50.8
3/8"	22.9	3.20	14.27 13.51	3.43	3.43	14	1.37	46.0	55.9
1/2"	27.7	3.73	17.86 17.07	3.68	3.68	14	1.50	49.0	58.4
3/4"	33.5	3.91	23.01 21.39	4.06	4.06	11	1.68	56.9	66.0
1"	41.4	4.55	28.98 27.74	4.57	4.45	11	1.85	62.0	78.7
1-1/4"	50.5	4.85	37.69 35.36	5.33	5.21	11	2.13	71.1	94.0
1-1/2"	57.2	5.08	43.54 41.20	5.84	5.59	10	2.31	76.5	111.8
2"	70.1	5.54	55.58 52.12	6.60	6.35	10	2.69	86.1	132.1
2-1/2"	85.3	7.01	66.27 64.31	7.49	7.11	8	3.07	102.4	149.9
3"	102.4	7.62	88.25 77.27	8.26	8.00	8	3.53	109.0	175.3

- (1) Upper and lower values for each size are the respective maximum and minimum dimensions.
 (2) Dimensions in accordance with MSS SP-83-2014.

Threaded Union



6000Lb

Nom. Pipe Size	Pipe End (Min) A	Wall (Min) C	Water Way Bore D ⁽¹⁾	Male Flange (Min) F	Nut (Min) G	Threads Per 25.4mm H	Bearing (Min) J	Length Assem. Nom. L	Clear Assem. Nut N
1/8"	16.5	3.15	8.43 3.20	3.18	3.18	16	1.24	41.4	50.8
1/4"	21.1	3.68	11.13 5.59	3.43	3.43	14	1.37	46.0	55.9
3/8"	25.1	4.01	14.27 8.36	3.68	3.68	14	1.50	49.0	58.4
1/2"	31.0	4.78	17.86 11.02	4.06	4.06	11	1.68	56.9	66.0
3/4"	37.8	5.56	23.01 14.78	4.57	4.45	11	1.85	62.0	78.7
1"	46.2	6.35	28.98 19.94	5.33	5.21	10	2.13	71.1	94.0
1-1/4"	54.9	6.35	37.69 28.70	5.84	5.59	10	2.31	76.5	111.8
1-1/2"	62.5	7.14	43.54 33.22	6.60	6.35	10	2.69	86.1	132.1
2"	77.7	8.74	55.58 42.09	7.49	7.11	8	3.07	102.4	149.9
2-1/2"	92.2	9.53	66.27 53.21	8.26	8.00	8	3.53	109.0	175.3
3"	111.3	11.13	82.55 65.89	10.19	10.19	8	4.06	158 ⁽²⁾	200.7

(1) Upper and lower values for each size are the respective maximum and minimum dimensions.

(2) This length 158mm is by our standard and the length as per MSS SP-83-2014 is 190.5mm.

(3) Dimensions in accordance with MSS SP-83-2014.