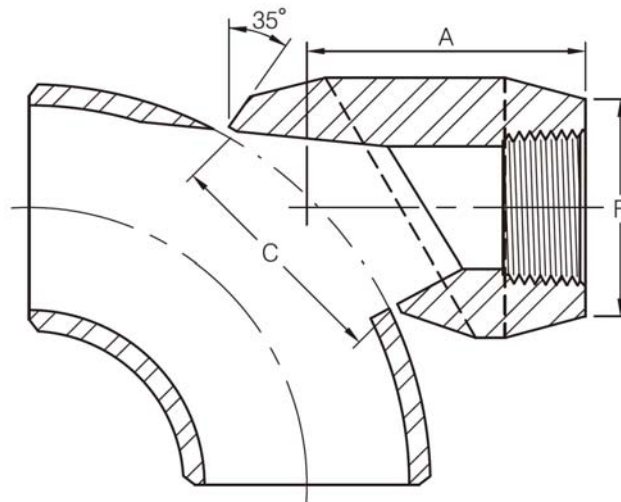


Threaded 90° Elbow Outlet



| Outlet Pipe | | A | | C | | F | |
|-------------|--------|--------|--------|--------|--------|--------|--------|
| DN | Inch | 3000Lb | 6000Lb | 3000Lb | 6000Lb | 3000Lb | 6000Lb |
| 8 | 1/4" | 40.5 | 40.5 | 35.2 | 34.9 | 22.0 | 26.0 |
| 10 | 3/8" | 40.5 | 40.5 | 35.2 | 34.9 | 25.9 | 33.0 |
| 15 | 1/2" | 40.5 | 47.6 | 35.2 | 34.9 | 31.4 | 38.0 |
| 20 | 3/4" | 47.6 | 55.6 | 43.6 | 43.6 | 37.1 | 44.0 |
| 25 | 1" | 55.6 | 60.3 | 54.0 | 54.0 | 45.5 | 57.0 |
| 32 | 1-1/4" | 60.3 | 66.7 | 67.5 | 67.5 | 57.0 | 64.0 |
| 40 | 1-1/2" | 66.7 | 85.7 | 76.2 | 76.2 | 64.0 | 76.0 |
| 50 | 2" | 81.0 | - | 104.8 | - | 76.0 | - |
| 65 | 2-1/2" | 82.6 | - | 106.4 | - | 92.0 | - |
| 80 | 3" | 96.8 | - | 125.4 | - | 109.2 | - |
| 100 | 4" | 114.3 | - | 163.5 | - | 140.0 | - |