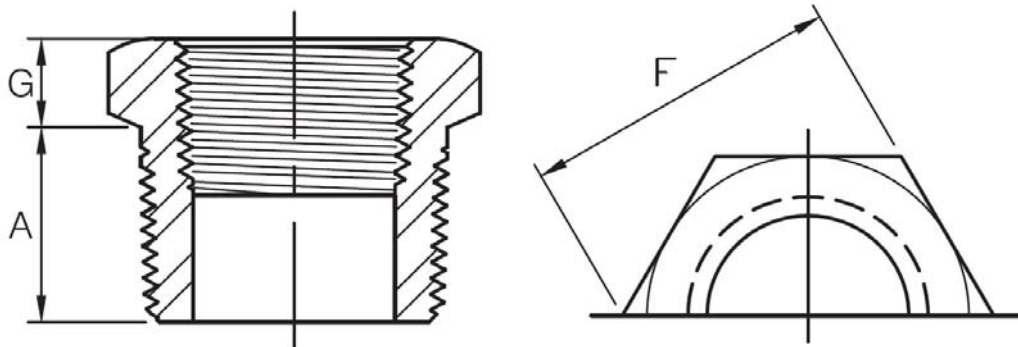


**Hex Head Bushing Threaded**



DN	Nom. Pipe Size	Length (Min) A	Width Flat (Nom.) F	Hex Height (Min) G
8	1/4"	11	15.88	3
10	3/8"	13	17.46	4
15	1/2"	14	22.23	5
20	3/4"	16	26.99	6
25	1"	19	34.93	6
32	1-1/4"	21	44.45	7
40	1-1/2"	21	50.80	8
50	2"	22	63.50	9
65	2-1/2"	27	76.20	10
80	3"	28	88.90	10
100	4"	32	117.48	13

- (1) Hex Head Bushings of one-size reduction should not be used in services where they might be subject to harmful loads and forces than internal pressure.
- (2) Dimensions in accordance with ASME B16.11-2011.