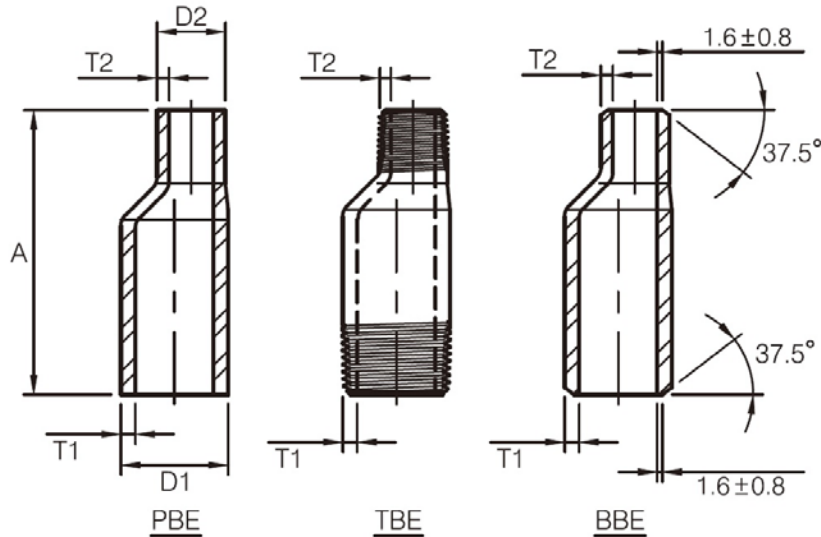
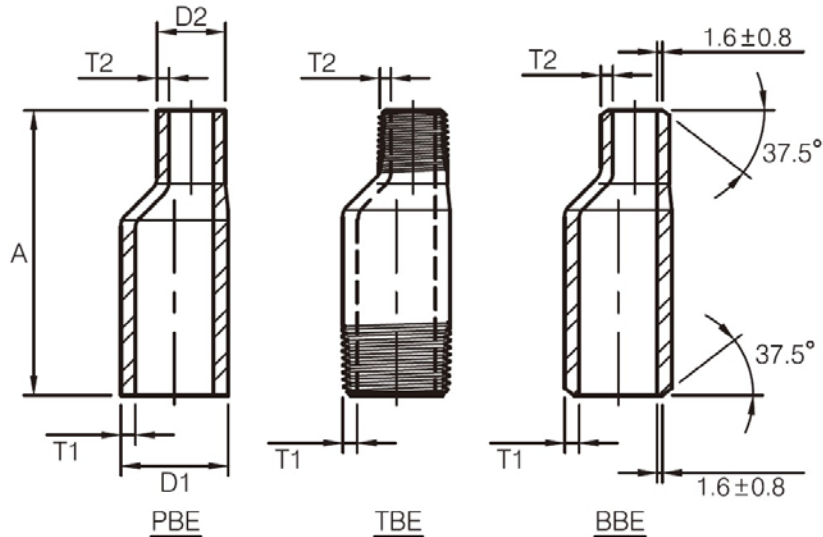


## Eccentric Swage Nipple



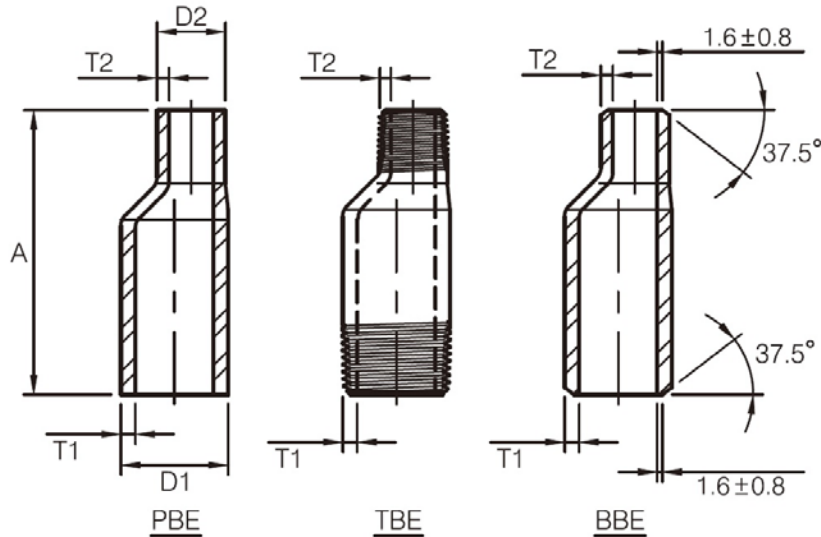
Nom. Pipe Size	Outside Diameter		Wall Thickness								
	Large End D1	Small End D2	T1				T2				
			End To End "A"	Sch40 (STD)	Sch80 (XS)	Sch160	XXS	Sch40 (STD)	Sch80 (XS)	Sch160	XXS
1/4"x1/8"	13.7	10.3	57	2.2	3.0	3.7	6.1	1.7	2.4	-	-
3/8"x1/8"	17.1	10.3	64	2.3	3.2	4.0	6.4	1.7	2.4	-	-
3/8"x1/4"	17.1	13.7	64	2.3	3.2	4.0	6.4	2.2	3.0	-	-
1/2"x1/8"	21.3	10.3	70	2.8	3.7	4.8	7.5	1.7	2.4	-	-
1/2"x1/4"	21.3	13.7	70	2.8	3.7	4.8	7.5	2.2	3.0	-	-
1/2"x3/8"	21.3	17.1	70	2.8	3.7	4.8	7.5	2.3	3.2	-	-
3/4"x1/8"	26.7	10.3	76	2.9	3.9	5.6	7.8	1.7	2.4	-	-
3/4"x1/4"	26.7	13.7	76	2.9	3.9	5.6	7.8	2.2	3.0	-	-
3/4"x3/8"	26.7	17.1	76	2.9	3.9	5.6	7.8	2.3	3.2	-	-
3/4"x1/2"	26.7	21.3	76	2.9	3.9	5.6	7.8	2.8	3.7	4.8	7.5
1"x1/8"	33.4	10.3	89	3.4	4.5	6.4	9.1	1.7	2.4	-	-
1"x1/4"	33.4	13.7	89	3.4	4.5	6.4	9.1	2.2	3.0	-	-
1"x3/8"	33.4	17.1	89	3.4	4.5	6.4	9.1	2.3	3.2	-	-
1"x1/2"	33.4	21.3	89	3.4	4.5	6.4	9.1	2.8	3.7	4.8	7.5
1"x3/4"	33.4	26.7	89	3.4	4.5	6.4	9.1	2.9	3.9	5.6	7.8
1-1/4"x1/8"	42.2	10.3	102	3.6	4.9	6.4	9.7	1.7	2.4	-	-
1-1/4"x1/4"	42.2	13.7	102	3.6	4.9	6.4	9.7	2.2	3.0	-	-
1-1/4"x3/8"	42.2	17.1	102	3.6	4.9	6.4	9.7	2.3	3.2	-	-
1-1/4"x1/2"	42.2	21.3	102	3.6	4.9	6.4	9.7	2.8	3.7	4.8	7.5
1-1/4"x3/4"	42.2	26.7	102	3.6	4.9	6.4	9.7	2.9	3.9	5.6	7.8
1-1/4"x1"	42.2	33.4	102	3.6	4.9	6.4	9.7	3.4	4.5	6.4	9.1
1-1/2"x1/8"	48.3	10.3	114	3.7	5.1	7.1	10.2	1.7	2.4	-	-
1-1/2"x1/4"	48.3	13.7	114	3.7	5.1	7.1	10.2	2.2	3.0	-	-
1-1/2"x3/8"	48.3	17.1	114	3.7	5.1	7.1	10.2	2.3	3.2	-	-
1-1/2"x1/2"	48.3	21.3	114	3.7	5.1	7.1	10.2	2.8	3.7	4.8	7.5
1-1/2"x3/4"	48.3	26.7	114	3.7	5.1	7.1	10.2	2.9	3.9	5.6	7.8
1-1/2"x1"	48.3	33.4	114	3.7	5.1	7.1	10.2	3.4	4.5	6.4	9.1
1-1/2"x1-1/4"	48.3	42.2	114	3.7	5.1	7.1	10.2	3.6	4.9	6.4	9.7
2"x1/8"	60.3	10.3	165	3.9	5.5	8.7	11.1	1.7	2.4	-	-
2"x1/4"	60.3	13.7	165	3.9	5.5	8.7	11.1	2.2	3.0	-	-
2"x3/8"	60.3	17.1	165	3.9	5.5	8.7	11.1	2.3	3.2	-	-
2"x1/2"	60.3	21.3	165	3.9	5.5	8.7	11.1	2.8	3.7	4.8	7.5
2"x3/4"	60.3	26.7	165	3.9	5.5	8.7	11.1	2.9	3.9	5.6	7.8
2"x1"	60.3	33.4	165	3.9	5.5	8.7	11.1	3.4	4.5	6.4	9.1

## Eccentric Swage Nipple



Nom. Pipe Size	Outside Diameter		Wall Thickness									
	Large End D1	Small End D2	T1					T2				
			End To End "A"	Sch40 (STD)	Sch80 (XS)	Sch160	XXS	Sch40 (STD)	Sch80 (XS)	Sch160	XXS	
2"x1-1/4"	60.3	42.2	165	3.9	5.5	8.7	11.1	3.6	4.9	6.4	9.7	
2"x1-1/2"	60.3	48.3	165	3.9	5.5	8.7	11.1	3.7	5.1	7.1	10.2	
2-1/2"x1/8"	73.0	10.3	178	5.2	7.0	9.5	14.0	1.7	2.4	-	-	
2-1/2"x1/4"	73.0	13.7	178	5.2	7.0	9.5	14.0	2.2	3.0	-	-	
2-1/2"x3/8"	73.0	17.1	178	5.2	7.0	9.5	14.0	2.3	3.2	-	-	
2-1/2"x1/2"	73.0	21.3	178	5.2	7.0	9.5	14.0	2.8	3.7	4.8	7.5	
2-1/2"x3/4"	73.0	26.7	178	5.2	7.0	9.5	14.0	2.9	3.9	5.6	7.8	
2-1/2"x1"	73.0	33.4	178	5.2	7.0	9.5	14.0	3.4	4.5	6.4	9.1	
2-1/2"x1-1/4"	73.0	42.2	178	5.2	7.0	9.5	14.0	3.6	4.9	6.4	9.7	
2-1/2"x1-1/2"	73.0	48.3	178	5.2	7.0	9.5	14.0	3.7	5.1	7.1	10.2	
2-1/2"x2"	73.0	60.3	178	5.2	7.0	9.5	14.0	3.9	5.5	8.7	11.1	
3"x1/8"	88.9	10.3	203	5.5	7.6	11.1	15.2	1.7	2.4	-	-	
3"x1/4"	88.9	13.7	203	5.5	7.6	11.1	15.2	2.2	3.0	-	-	
3"x3/8"	88.9	17.1	203	5.5	7.6	11.1	15.2	2.3	3.2	-	-	
3"x1/2"	88.9	21.3	203	5.5	7.6	11.1	15.2	2.8	3.7	4.8	7.5	
3"x3/4"	88.9	26.7	203	5.5	7.6	11.1	15.2	2.9	3.9	5.6	7.8	
3"x1"	88.9	33.4	203	5.5	7.6	11.1	15.2	3.4	4.5	6.4	9.1	
3"x1-1/4"	88.9	42.2	203	5.5	7.6	11.1	15.2	3.6	4.9	6.4	9.7	
3"x1-1/2"	88.9	48.3	203	5.5	7.6	11.1	15.2	3.7	5.1	7.1	10.2	
3"x2"	88.9	60.3	203	5.5	7.6	11.1	15.2	3.9	5.5	8.7	11.1	
3"x2-1/2"	88.9	73.0	203	5.5	7.6	11.1	15.2	5.2	7.0	9.5	14.0	
3-1/2"x1/8"	101.6	10.3	203	5.7	8.1	-	-	1.7	2.4	-	-	
3-1/2"x1/4"	101.6	13.7	203	5.7	8.1	-	-	2.2	3.0	-	-	
3-1/2"x3/8"	101.6	17.1	203	5.7	8.1	-	-	2.3	3.2	-	-	
3-1/2"x1/2"	101.6	21.3	203	5.7	8.1	-	-	2.8	3.7	4.8	7.5	
3-1/2"x3/4"	101.6	26.7	203	5.7	8.1	-	-	2.9	3.9	5.6	7.8	
3-1/2"x1"	101.6	33.4	203	5.7	8.1	-	-	3.4	4.5	6.4	9.1	
3-1/2"x1-1/4"	101.6	42.2	203	5.7	8.1	-	-	3.6	4.9	6.4	9.7	
3-1/2"x1-1/2"	101.6	48.3	203	5.7	8.1	-	-	3.7	5.1	7.1	10.2	
3-1/2"x2"	101.6	60.3	203	5.7	8.1	-	-	3.9	5.5	8.7	11.1	
3-1/2"x2-1/2"	101.6	73.0	203	5.7	8.1	-	-	5.2	7.0	9.5	14.0	
3-1/2"x3"	101.6	88.9	203	5.7	8.1	-	-	5.5	7.6	11.1	15.2	
4"x1/4"	114.3	13.7	229	6.0	8.6	13.5	17.1	2.2	3.0	-	-	

## Eccentric Swage Nipple



Nom. Pipe Size	Outside Diameter		Wall Thickness								
	Large End D1	Small End D2	T1				T2				
			End To End "A"	Sch40 (STD)	Sch80 (XS)	Sch160	XXS	Sch40 (STD)	Sch80 (XS)	Sch160	XXS
4"x3/8"	114.3	17.1	229	6.0	8.6	13.5	17.1	2.3	3.2	-	-
4"x1/2"	114.3	21.3	229	6.0	8.6	13.5	17.1	2.8	3.7	4.8	7.5
4"x3/4"	114.3	26.7	229	6.0	8.6	13.5	17.1	2.9	3.9	5.6	7.8
4"x1"	114.3	33.4	229	6.0	8.6	13.5	17.1	3.4	4.5	6.4	9.1
4"x1-1/4"	114.3	42.2	229	6.0	8.6	13.5	17.1	3.6	4.9	6.4	9.7
4"x1-1/2"	114.3	48.3	229	6.0	8.6	13.5	17.1	3.7	5.1	7.1	10.2
4"x2"	114.3	60.3	229	6.0	8.6	13.5	17.1	3.9	5.5	8.7	11.1
4"x2-1/2"	114.3	73.0	229	6.0	8.6	13.5	17.1	5.2	7.0	9.5	14.0
4"x3"	114.3	88.9	229	6.0	8.6	13.5	17.1	5.5	7.6	11.1	15.2
4"x3-1/2"	114.3	101.6	229	6.0	8.6	13.5	17.1	5.7	8.1	-	-

- (1) Dimensions in accordance with MSS SP-95-2014.  
 (2) Wall Thickness (T1 & T2) in accordance with ASME B36.10M.  
 (3) Connection end types:  
 PBE : Plain Both Ends      BBE : Bevel Both Ends  
 PSE : Plain Small End      BSE : Bevel Small End  
 PLE : Plain Large End      BLE : Bevel Large End

- TBE : Thread Both Ends  
 TSE : Thread Small End  
 TLE : Thread Large End