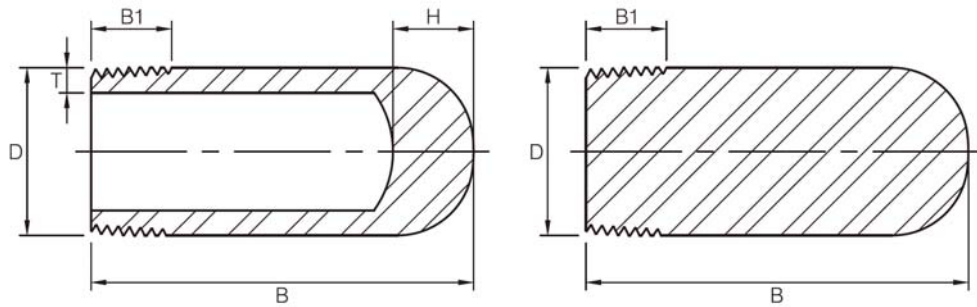


Bull Plug Threaded



Nom. Pipe Size	D	B	B1	T (Min)				H
				Sch40/STD	Sch80/XS (3M)	Sch160 (6M)	XXS	
1/8"	10.3	51	9.5	1.73	2.41	-	-	14
1/4"	13.7	51	11.0	2.24	3.02	-	-	14
3/8"	17.1	57	12.5	2.31	3.20	-	-	14
1/2"	21.3	64	14.5	2.77	3.73	4.78	7.47	14
3/4"	26.7	70	16.0	2.87	3.91	5.56	7.82	18
1"	33.4	76	19.0	3.38	4.55	6.35	9.09	18
1-1/4"	42.2	83	20.5	3.56	4.85	6.35	9.70	18
1-1/2"	48.3	89	20.5	3.68	5.08	7.14	10.15	18
2"	60.3	102	22.0	3.91	5.54	8.74	11.07	20
2-1/2"	73.0	127	27.0	5.16	7.01	9.53	14.02	20
3"	88.9	152	28.5	5.49	7.62	11.13	15.24	20
4"	114.3	178	32.0	6.02	8.56	13.49	17.12	20

(1) Wall thickness (T Min.) in accordance with ASME B36.10M.

(2) Dimensions in accordance with MSS SP-95-2006.