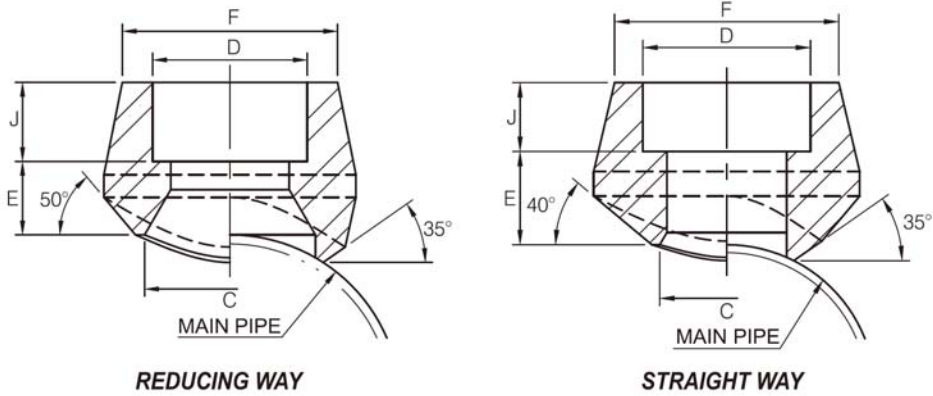


Socket Weld 90° Branch Outlet



Outlet Pipe	Reducing Way									
	C		D		F		J (Min)		E (Max)	
	3M	6M	3M	6M	3M	6M	3M	6M	3M	6M
1/8"	13.7	-	10.8	-	22.0	-	9.5	-	11.0	-
1/4"	13.7	-	14.2	-	22.0	-	9.5	-	11.0	-
3/8"	19.1	-	17.6	-	25.9	-	9.5	-	13.0	-
1/2"	21.3	16.6	21.8	21.8	31.4	38.0	9.5	9.5	16.0	24.0
3/4"	26.7	21.2	27.2	27.2	37.1	44.0	12.5	12.5	16.0	26.0
1"	33.4	27.0	33.9	33.9	45.5	57.0	12.5	12.5	23.0	29.0
1-1/4"	42.2	35.8	42.7	42.7	57.0	64.0	12.5	12.5	23.0	31.0
1-1/2"	48.3	41.2	48.8	48.8	64.0	76.0	12.5	12.5	24.0	32.0
2"	60.3	51.6	61.2	61.2	76.0	92.0	16.0	16.0	24.0	37.0
2-1/2"	73.2	-	73.9	-	92.0	-	16.0	-	26.0	-
3"	88.9	-	89.8	-	109.2	-	16.0	-	31.0	-
4"	114.3	-	115.2	-	140.0	-	19.0	-	31.0	-

Outlet Pipe	Straight Way				
	C	D	F	J (Min)	E (Max)
	3000Lb				
1/8"	-	-	-	-	-
1/4"	11.5	14.2	22.0	9.5	11.0
3/8"	14.5	17.6	25.9	9.5	13.0
1/2"	16.5	21.8	31.4	9.5	16.0
3/4"	21.5	27.2	37.1	12.5	16.0
1"	27.2	33.9	45.5	12.5	23.0
1-1/4"	36.0	42.7	57.0	12.5	23.0
1-1/2"	42.0	48.8	64.0	12.5	24.0
2"	53.0	61.2	76.0	16.0	24.0
2-1/2"	65.0	73.9	92.0	16.0	26.0
3"	80.0	89.8	109.2	16.0	31.0
4"	104.0	115.2	140.0	19.0	31.0

Conventional Run Size Combinations

		OUTLET SIZE										
		1/4"	3/8"	1/2"	3/4"	1"	1-1/4"	1-1/2"	2"	2-1/2"	3"	4"
RUN SIZE (Main Pipe)	Reducing way	3/8"~3/4" 1"~36"	1/2" 3/4"~1-1/4" 1-1/2"~36"	3/4" 1" 1-1/4" 1-1/2"~3" 3-1/2"~36"	1" 1-1/4" 1-1/2" 2"~3" 3-1/2"~6" 8"~36"	1-1/4" 1-1/2" 2" 2-1/2" 3" 3-1/2"~4" 5"~10" 12~36"	1-1/2" 2" 2-1/2" 3" 3-1/2"~5" 6"~8" 10" ~ 36"	2" 2-1/2" 3" 3-1/2" 4"~5" 6"~10" 12"~36"	2-1/2" 3" 3-1/2" 4" 5"~6" 8"~10" 12"~18" 20"~36"	3" 3-1/2" 4" 5" 6" 8" 10" 12"~14" 16"~36"	3-1/2" 4" 5" 6" 8" 10" 12"~16" 18"~36"	5" 6" 8" 10" 12"~14" 16"~18" 20"~24" 26"~36"
	Straight way	3/8"~36"	1/2"~36"	3/4"~36"	1"~36"	1-1/4"~1-1/2" 2"~36"	1-1/2" 2"~3" 3-1/2"~36"	2" 2-1/2"~4" 5"~36"	2-1/2" 3"~3-1/2" 4"~6" 8"~36"	3" 3-1/2"~4" 5"~8" 10"~36"	3-1/2" 4" 5" 6" 8"~12" 14"~36"	5" 6" 8" 10" 12"~16" 18"~36"

- (1) 3000LBS outlet size 4 and less fit a number of run pipe sizes and the fitting are marked accordingly.
- (2) Each charted outlet size is designed to fit a number of run pipe size.
- (3) 3M and 6M denote 3000Lb and 6000Lb.
- (4) Socket in accordance with ASME B16.11.
- (5) Dimensions in accordance with MSS SP-97-2012.