

## Valve Manifolds

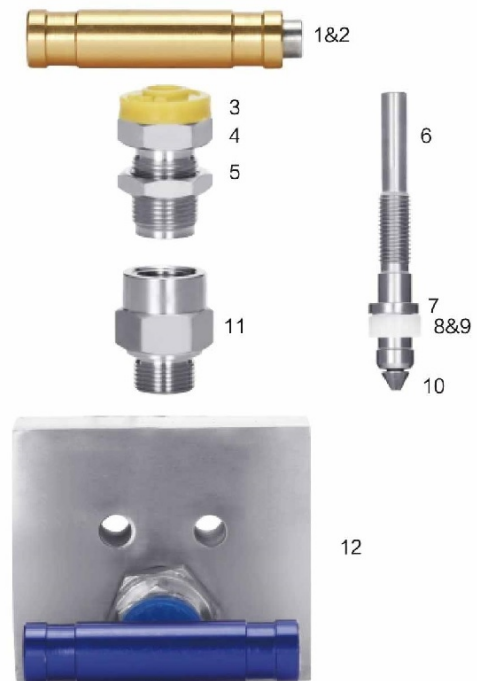
### Features

1. Body material in Stainless Steel 316 or 304.
2. Max. allowed working pressure: 6000psi (413 bar) at 37°C (100°F).
3. TFM1600 packing as standard; Graphite packing for option.
4. Available with Direct-mounting (pipe to flange & flange to flange) or Remote-mounting (pipe to pipe).
5. Manifolds are supplied with Stainless Steel bolts and accessories.
6. 100% factory teste.
7. End connections available with BSPT, NPT female thread.
8. Color codes for handles and dust caps to identify the function of valves.

- ISOLATE/BLOCK
- VENT/TEST
- EQUALIZE

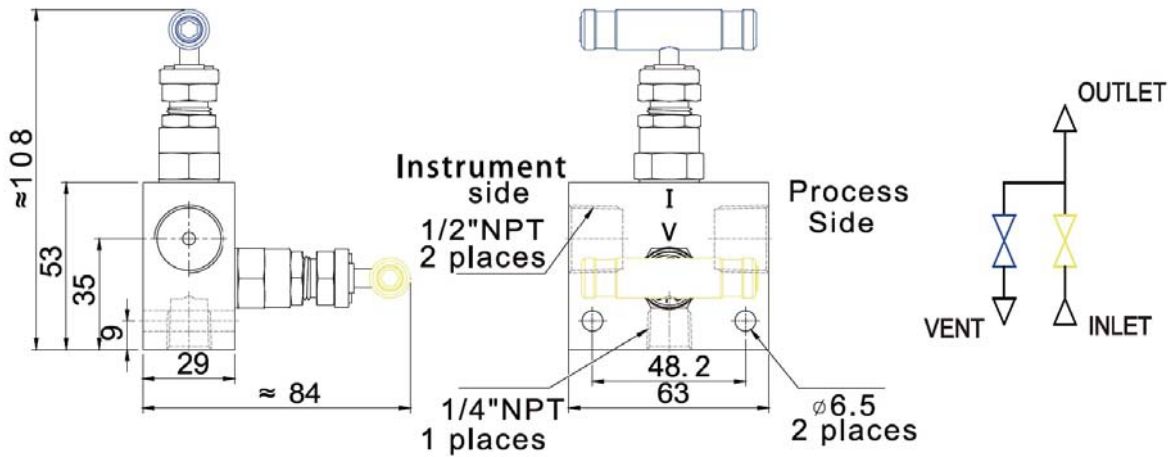
### Material List

Item	Part Name	Material
1	Handle	Aluminum
2	Handle Set Screw	SS304
3	Dust Cap	PVC
4	Packing Bolt	SS316
5	Locking Nut	SS304
6	Bonnet	SS316
7	Gland	SS316
8	Upper Packing	TFM1600
9	Lower Packing	TFM1600
10	Stem Tip	SS630
11	Bonnet	SS316
12	Body	SS316



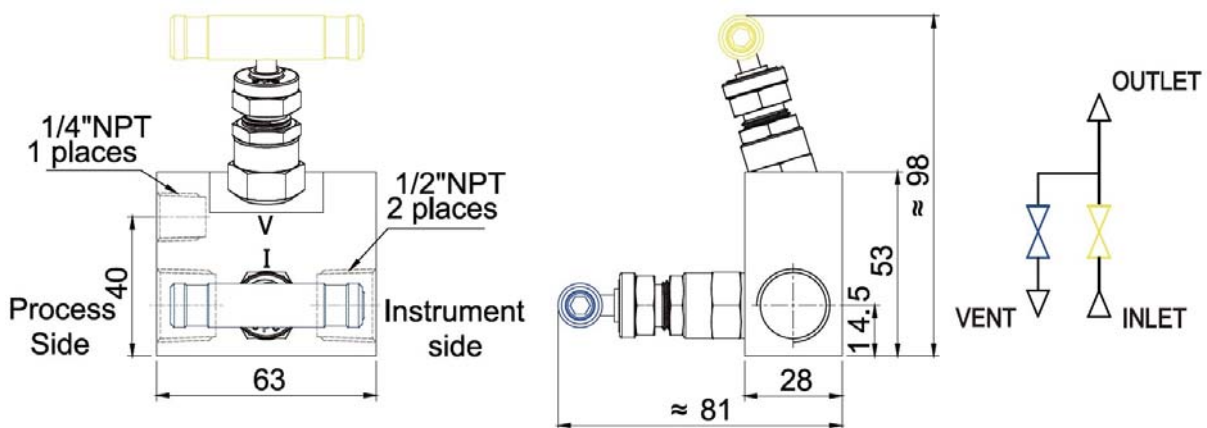
## VM2 2 Valve Manifolds

### R Type (Block Type)



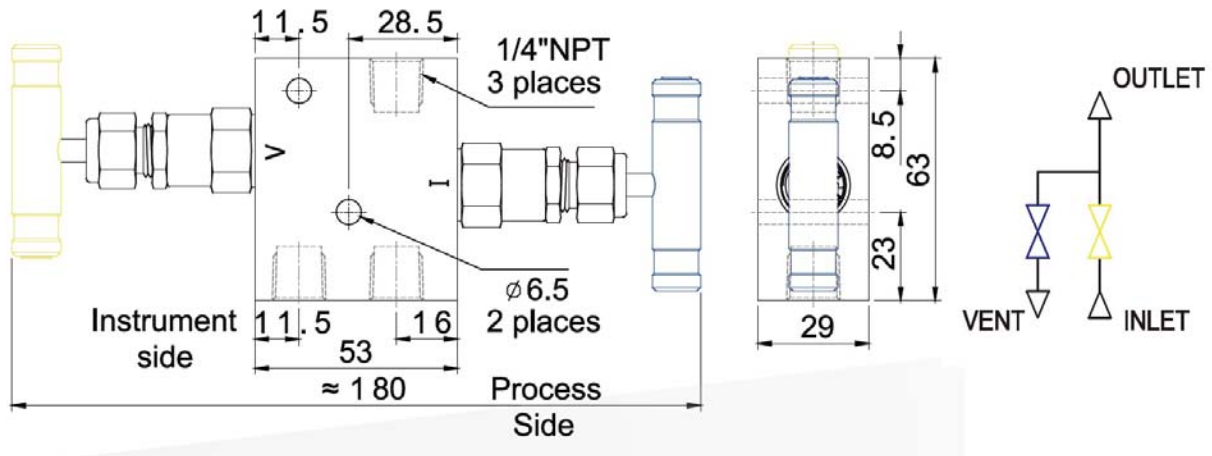
Item No.	Inlet	Outlet	Bleed/Vent/Test
VM2-RTV-04FN	1/2"NPT(F)	1/2"NPT(F)	1/4"NPT(F) x 1

### R1 Type (Block Type)



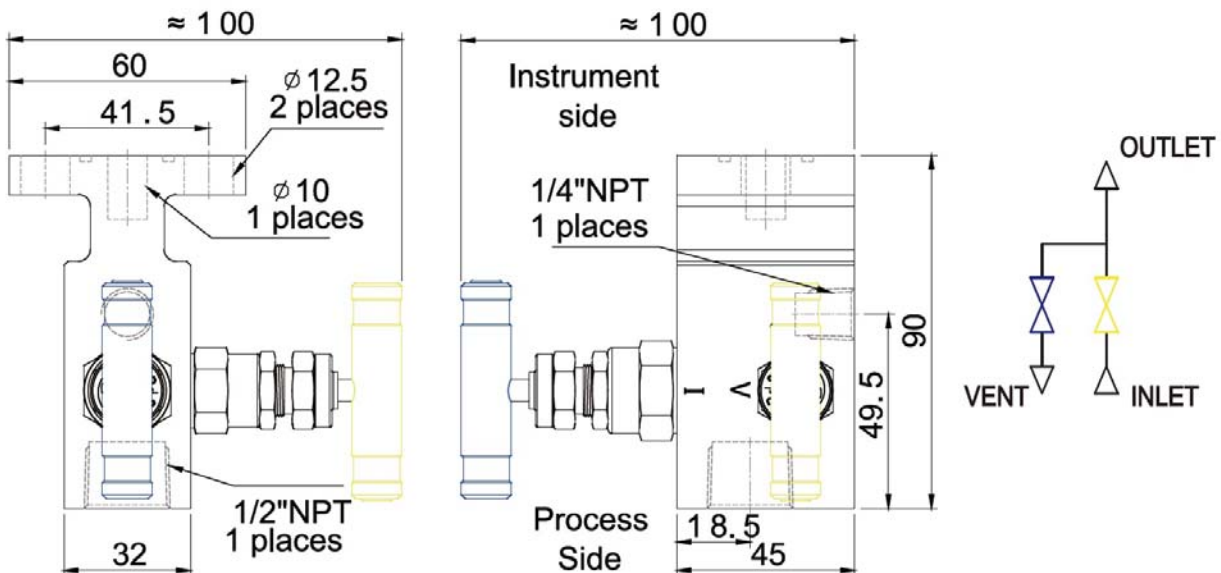
Item No.	Inlet	Outlet	Bleed/Vent/Test
VM2-R1TV-04FN	1/2"NPT(F)	1/2"NPT(F)	1/4"NPT(F) x 1

## R2 Type (Block Type)



Item No.	Inlet	Outlet	Bleed/Vent/Test
VM2-R2TV-02FN	1/4" NPT(F)	1/4" NPT(F)	1/4" NPT(F) x 1
VM2-R2TV-04FN	1/2" NPT(F)	1/2" NPT(F)	1/4" NPT(F) x 1

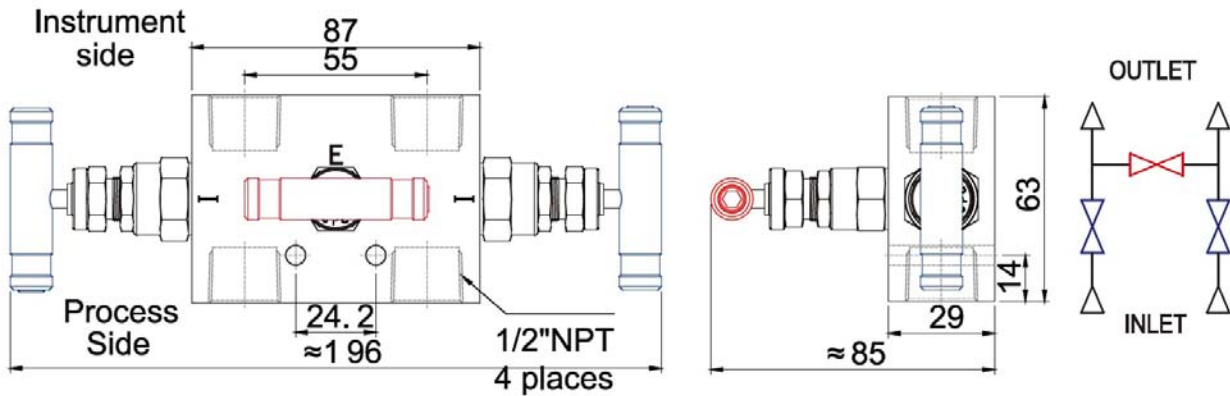
## T Type (Single Flange Type)



Item No.	Inlet	Outlet	Bleed/Vent/Test
VM2-TTV-04FN	1/2" NPT(F)	Flange (MSS)	1/4" NPT(F) x 1

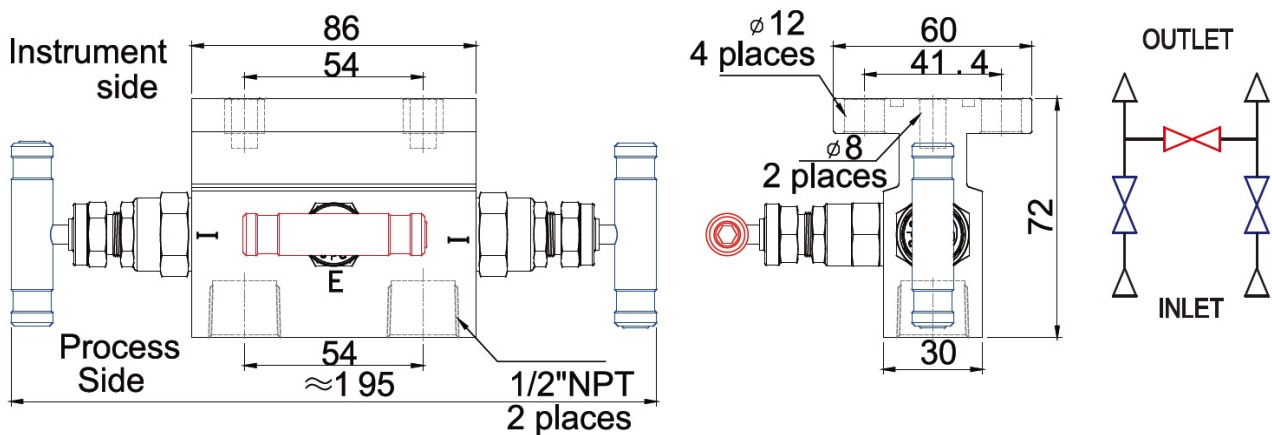
## VM3 3 Valve Manifolds

### R Type (Block Type)



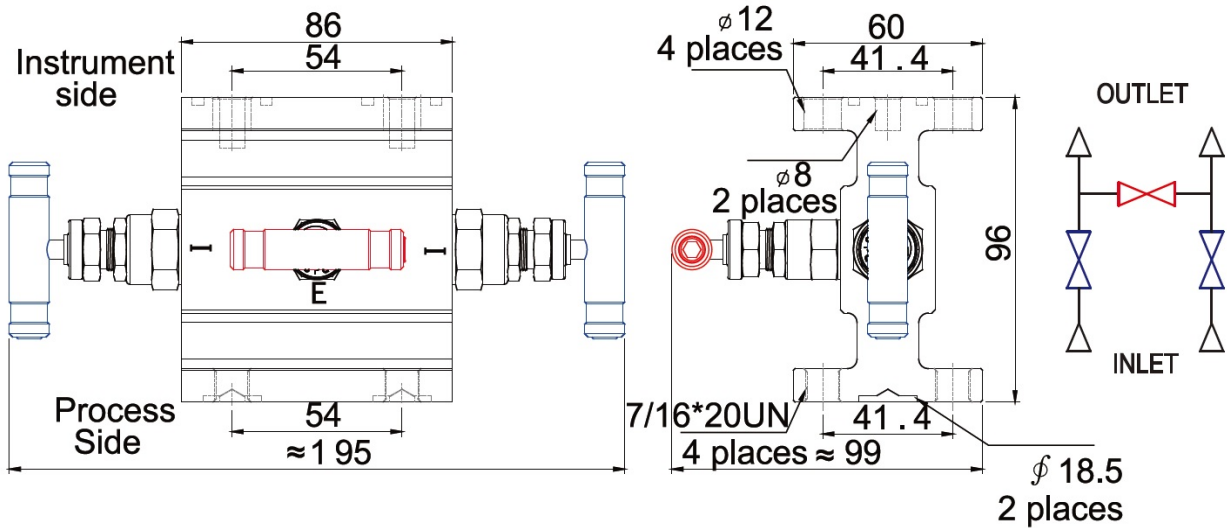
Item No.	Inlet	Outlet	Bleed/Vent/Test
VM3-RTV-04FN	1/2"NPT(F)	1/2"NPT(F)	-

### T Type (Single Flange Type)



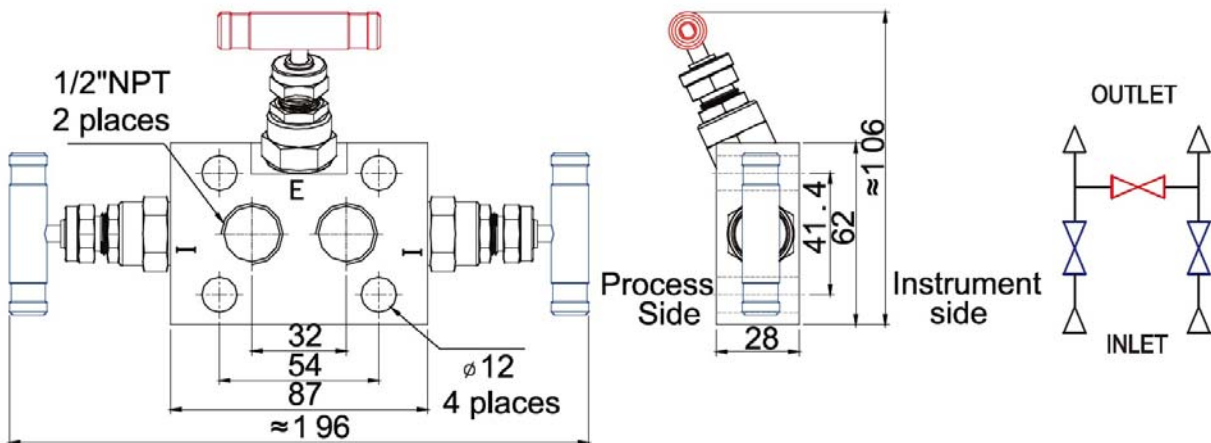
Item No.	Inlet	Outlet	Bleed/Vent/Test
VM3-TTV-04FN	1/2"NPT(F)	Flange (MSS)	-

## H Type (Dual Flange Type)



Item No.	Inlet	Outlet	Bleed/Vent/Test
VM3-HTV-04FN	Flange (MSS)	Flange (MSS)	-

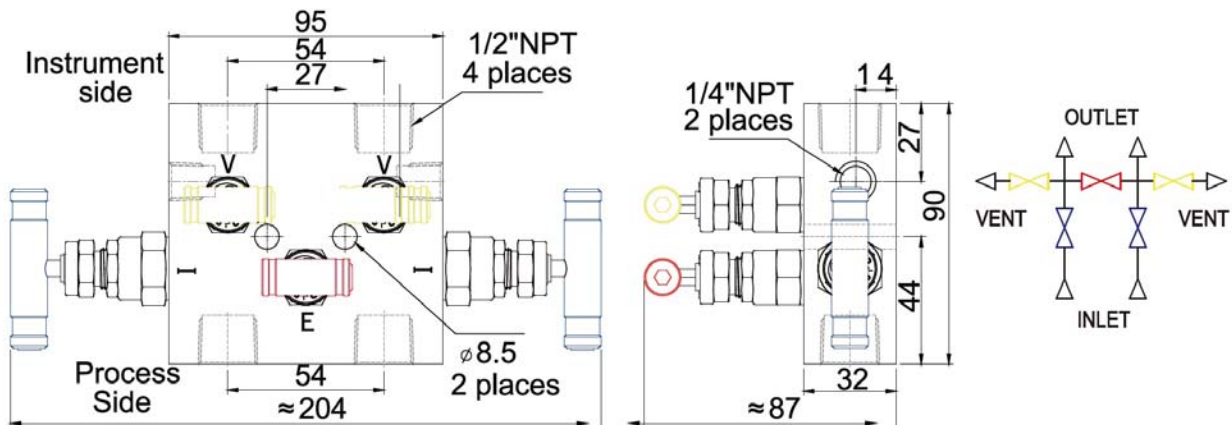
## P Type (Single Flange Block Type)



Item No.	Inlet	Outlet	Bleed/Vent/Test
VM3-PTV-04FN	Flange (MSS)	1/2"NPT(F)	-

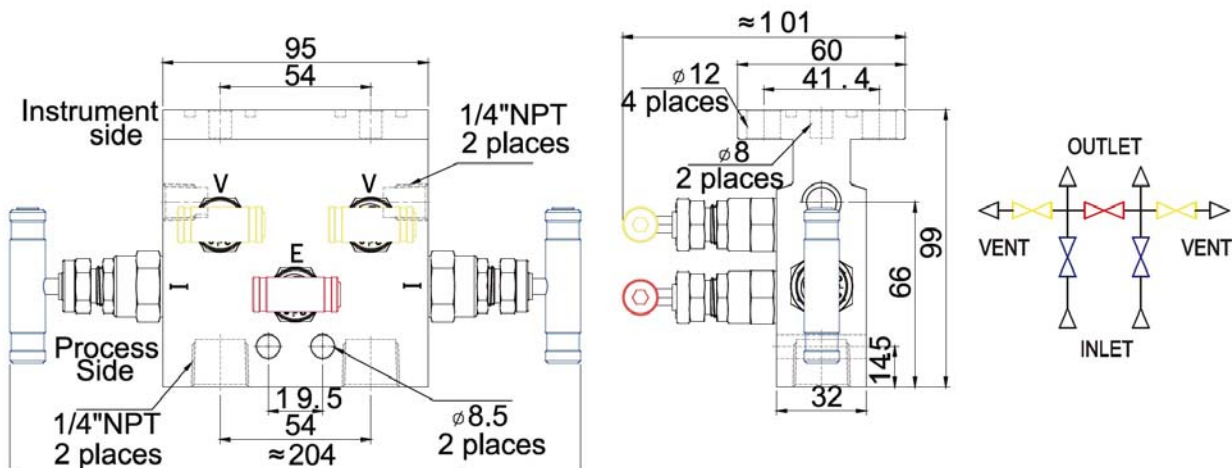
## VM5 5 Valve Manifolds

### R Type (Block Type)



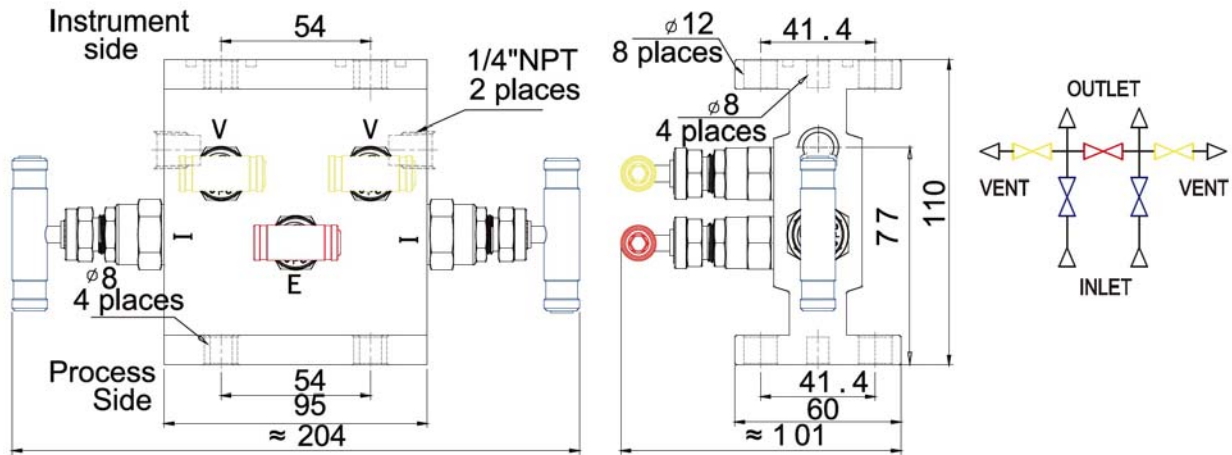
Item No.	Inlet	Outlet	Bleed/Vent/Test
VM5-RTV-04FN	1/2"NPT(F)	1/2"NPT(F)	1/4"NPT(F) x 2

### T Type (Single Flange Type)



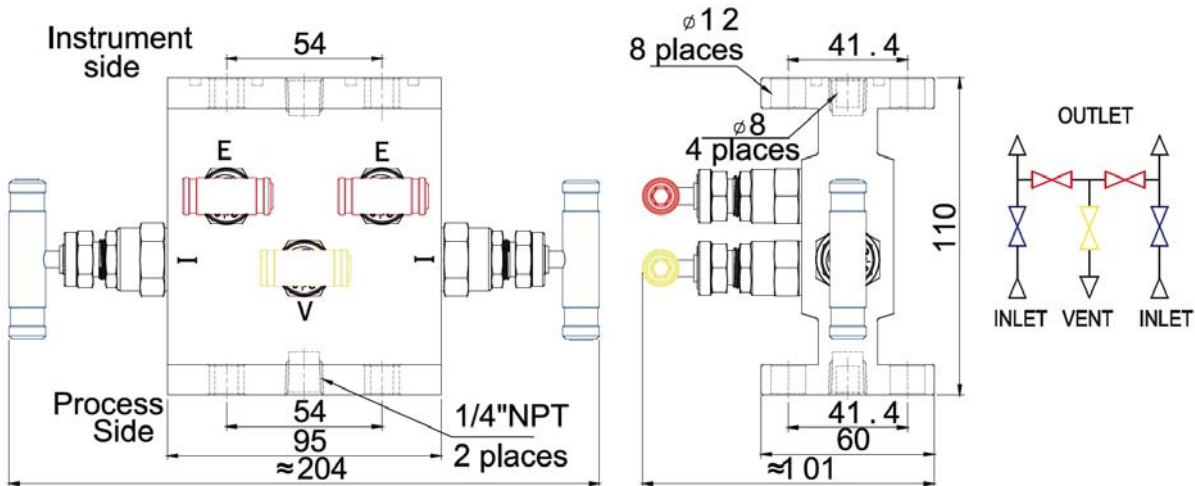
Item No.	Inlet	Outlet	Bleed/Vent/Test
VM5-TTV-04FN	1/2"NPT(F)	Flange (MSS)	1/4"NPT(F) x 2

## H Type (Dual Flange Type)



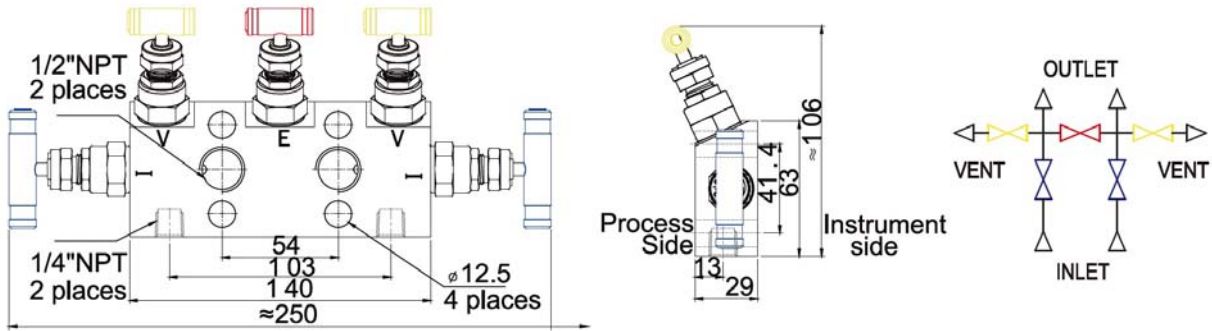
Item No.	Inlet	Outlet	Bleed/Vent/Test
VM5-HTV-04FN	Flange (MSS)	Flange (MSS)	1/4"NPT(F) x 2

## H1 Type (Dual Flange Type)



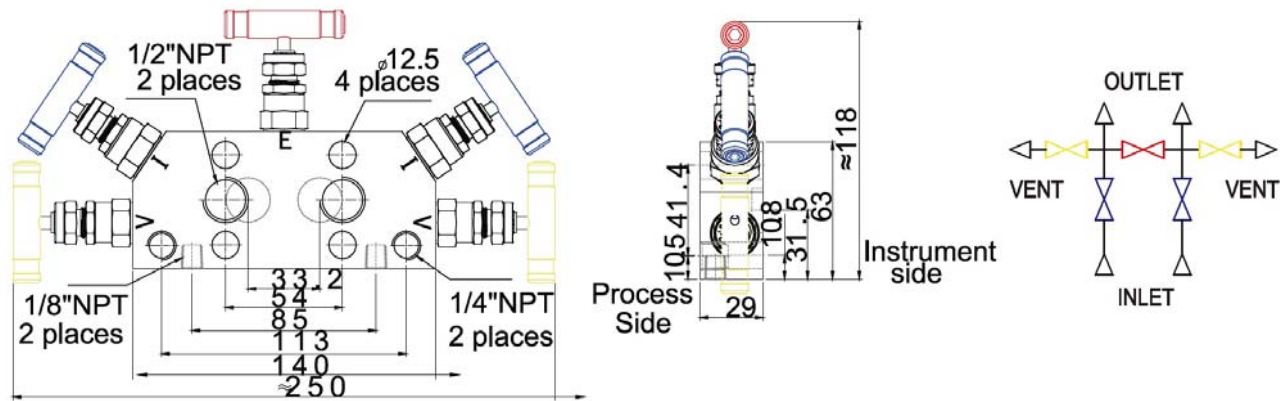
Item No.	Inlet	Outlet	Bleed/Vent/Test
VM5-H1TV-04FN	Flange (MSS)	Flange (MSS)	1/4"NPT(F) x 1

## P Type (Single Flange Block Type)



Item No.	Inlet	Outlet	Bleed/Vent/Test
VM5-PTV-04FN	Flange (MSS)	1/2"NPT(F)	1/4"NPT(F) x 2

## P1 Type (Single Flange Block Type)



Item No.	Inlet	Outlet	Bleed/Vent/Test
VM5-P1TV-04FN	Flange (MSS)	1/2"NPT(F)	1/4"NPT(F) x 2