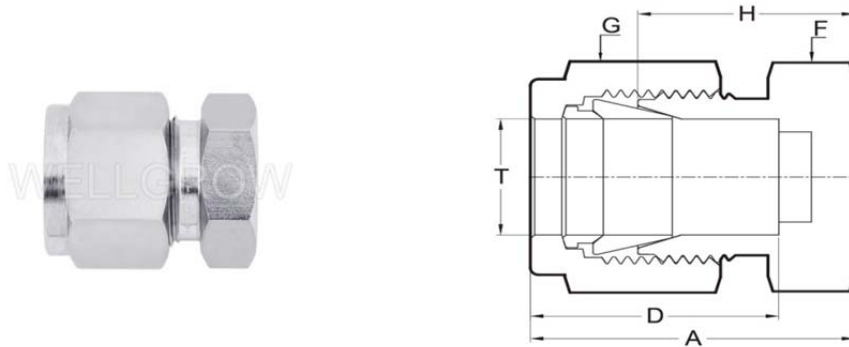


## C Cap



### Metric

TUBE O.D.	ITEM NUMBER	A	D	F	G	H
3	C-3	21.7	12.9	10	7/16	15.0
4	C-4	22.1	13.7	10	12	15.0
6	C-6	23.6	15.3	12	9/16	16.0
8	C-8	24.8	16.2	14	5/8	17.0
10	C-10	26.9	17.2	17	19	19.0
12	C-12	29.7	22.8	22	7/8	20.0
14	C-14	31.4	24.4	24	25	21.0
15	C-15	31.5	24.4	24	25	21.0
16	C-16	31.7	24.4	24	25	21.0
18	C-18	31.4	24.4	27	30	21.0
20	C-20	31.0	26.0	30	32	22.0
22	C-22	31.3	26.0	30	32	22.0
25	C-25	38.4	31.3	35	1-1/2	26.0

### Fractional

TUBE O.D.	ITEM NUMBER	A	D	F	G	H
1/16	C-005	15.0	8.6	10	10	11.2
1/8	C-01	21.9	12.7	10	7/16	15.0
3/16	C-015	21.9	13.7	10	12	15.0
1/4	C-02	23.8	15.2	12	9/16	16.0
3/8	C-03	26.7	16.8	17	11/16	19.0
1/2	C-04	29.9	22.9	22	7/8	20.0
3/4	C-06	31.9	24.4	27	1-1/8	21.0
1	C-08	38.4	31.2	35	1-1/2	26.0