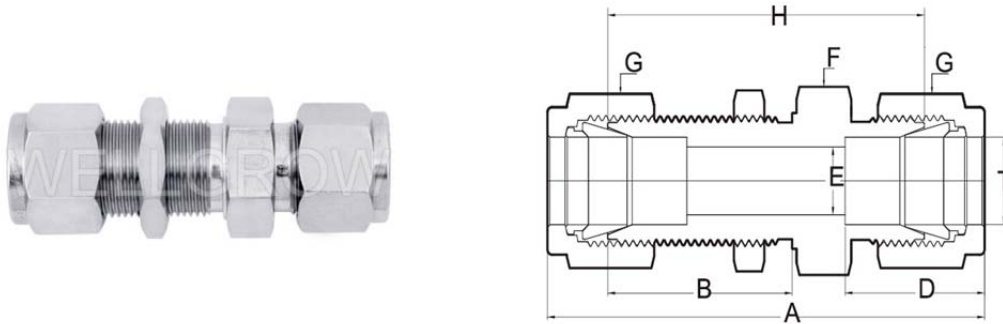


BU Bulkhead Union



Metric

TUBE O.D.	ITEM NUMBER	A	B	D	E	F	G	H	PANEL HOLE SIZE	MAX PANEL THICK
6	BU-6-0	58.2	26.0	15.3	5.0	17	9/16	43.0	12.5	12
8	BU-8-0	62.6	28.0	16.2	6.0	19	5/8	47.0	13.5	12
10	BU-10-0	64.8	29.0	17.2	8.0	22	19	49.0	16.5	12
12	BU-12-0	70.4	31.0	22.8	10.0	24	7/8	51.0	20.5	14
14	BU-14-0	73.8	32.0	24.4	12.0	27	25	53.0	23.5	12
15	BU-15-0	74.0	32.0	24.4	12.0	27	25	53.0	23.5	12
16	BU-16-0	74.4	32.0	24.4	14.0	27	25	53.0	23.5	12
18	BU-18-0	80.8	38.0	24.4	16.0	30	30	60.0	26.5	18
20	BU-20-0	91.0	49.0	26.0	18.0	35	32	73.0	29.5	29
22	BU-22-0	91.6	49.0	26.0	18.0	35	32	73.0	29.5	29
25	BU-25-0	95.8	45.0	31.3	22.0	41	1-1/2	71.0	34.5	22

Fractional

TUBE O.D.	ITEM NUMBER	A	B	D	E	F	G	H	PANEL HOLE SIZE	MAX PANEL THICK
1/8	BU-01-0	51.8	23.0	12.7	2.5	12	7/16	38.0	8.5	10
1/4	BU-02-0	58.6	26.0	15.2	5.0	17	9/16	43.0	12.5	12
3/8	BU-03-0	64.4	29.0	16.8	7.7	19	11/16	49.0	15.5	12
1/2	BU-04-0	71.8	31.0	22.9	10.0	24	7/8	52.0	20.5	14
3/4	BU-06-0	81.8	38.0	24.4	16.0	30	1-1/8	60.0	26.5	18
1	BU-08-0	95.7	45.0	31.2	22.0	41	1-1/2	71.0	34.5	22