

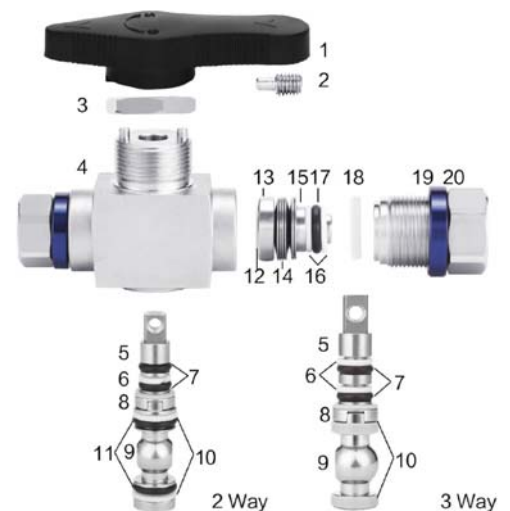
Trunnion Ball Valve 6000PSI

Features

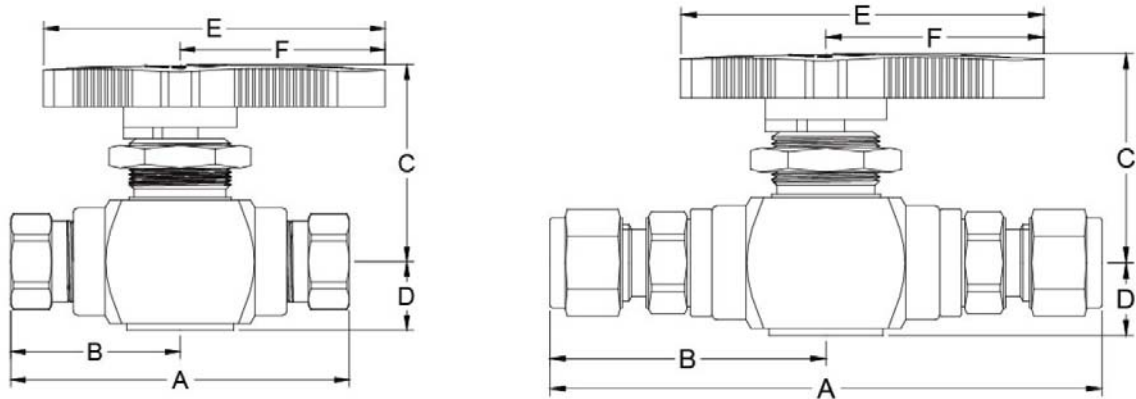
1. Black handles with arrow indicate flow direction as standard; metal handles for option.
2. Bottom-loaded stem prevents blowout and enhances system safety.
3. Panel mountable.
4. Bi-directional flow. Micro-finished floating ball ensures leak Proof shut off.
5. Spring-loaded seats for positive sealing torques and high cycle life.
6. Max. allowed working pressure: 6000psi.
7. End connections available with Tube end, NPT or BSPT female thread.
8. On/off service ball valve with 2-way pattern.
9. Diverter service ball valve with 3-way pattern.
10. Blowout proof two-piece stem/ trunnion ball.
11. With Viton O-ring.
12. 100% factory tested.

Material Of Construction

Item	Part Name	Q'ty		Material
		2-way	3-way	
1	Handle	1	1	Nylon
2	Handle Set Screw	1	1	Chrome-Plated Steel
3	Panel Nut	1	1	SS304
4	Body	1	1	SS316
5	Stem	1	1	SS316
6	Stem Back-up Ring	1	2	TFM1600
7	Stem O-ring	2	2	Viton
8	Stem Bearing	1	1	PEEK
9	Trunnion Ball	1	1	SS316
10	Ball Back-up Ring	2	2	TFM1600 / PEEK (3-way)
11	Ball O-ring	2	-	Viton / -
12	Seat	2	2	PEEK
13	Seat Carrier	2	2	SS316
14	Seat Spring	2	2	X-750
15	Seat Carrier Guide	2	2	SS316
16	Seat Carrier Back-up Ring	4	4	TFM1600
17	Seat Carrier O-ring	2	2	Viton
18	End Packing	2	2	TFM1600
19	Identification Ring	2	2	Aluminum
20	End Cap	2	2	SS316

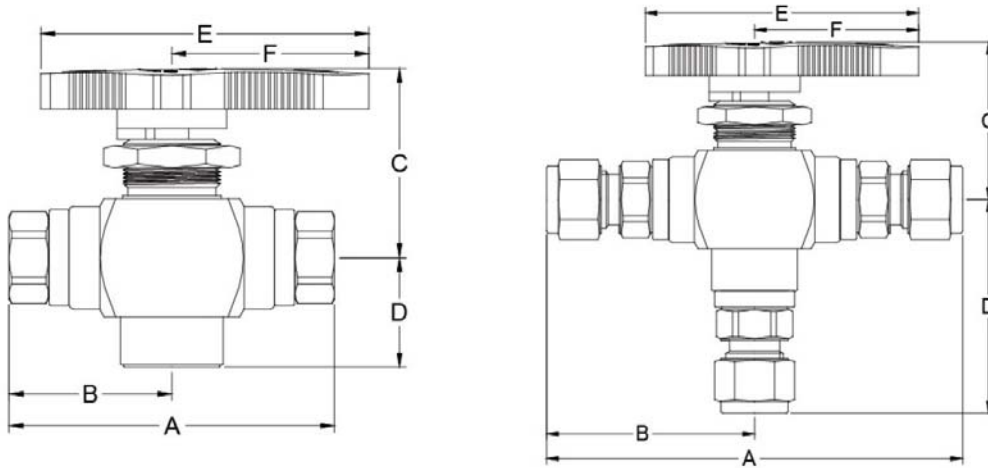


TBV-6 Trunnion Ball Valve 6000PSI, 2-Way



Type	Item No.	Conn./Size	Orifice		Dimensions (mm)							
		Inlet/Outlet	mm	in.	A	B	C	D	E	F	Panel Hole Size	Max Panel Thickness
Tube end	TBV-6-10OD	10mm	5	0.19	114.0	57.0	43.5	15.0	75	45	22.2	8
Female thread	TBV-6-02F	1/4"	5	0.19	76.3	38.2	45.3	15.0	75	55	22.2	8

TBVT-6 Trunnion Ball Valve 6000PSI, 3-Way



Type	Item No.	Conn./Size	Orifice		Dimensions (mm)							
		Inlet/Outlet	mm	in.	A	B	C	D	E	F	Panel Hole Size	Max Panel Thickness
Tube end	TBVT-6-10OD	10mm	5	0.19	114.0	57.0	43.5	25.0	75	45	22.2	8
Female thread	TBVT-6-02F	1/4"	5	0.19	76.3	38.2	45.3	25.0	75	45	22.2	8