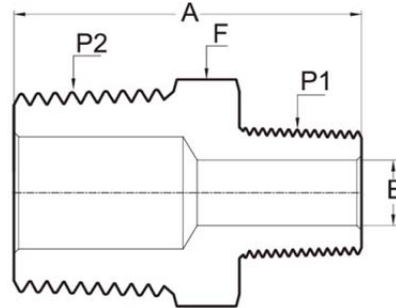


RHN Reducing Hex Nipple



Fractional

P1 MALE PIPE SIZE	P2 MALE PIPE SIZE	ITEM NUMBER	A		E MIN OPENING	F HEX FLAT	
			BSPT	NPT			
1/4	1/8	RHN-02-01	29.0	30.0	5.0	14	
3/8	1/8	RHN-03-01	31.0	32.0	5.0	17	
	1/4	RHN-03-02	34.0	35.0	7.0	17	
1/2	1/8	RHN-04-01	34.0	35.0	5.0	21	
	1/4	RHN-04-02	37.0	38.0	7.0	21	
	3/8	RHN-04-03	38.0	39.0	9.5	21	
3/4	1/8	RHN-06-01	37.0	38.0	5.0	27	
	1/4	RHN-06-02	40.0	41.0	7.0	27	
	3/8	RHN-06-03	41.0	42.0	9.5	27	
	1/2	RHN-06-04	44.0	45.0	12.0	27	
1	1/8	RHN-08-01	41.0	42.0	5.0	35	
	1/4	RHN-08-02	44.0	45.0	7.5	35	
	3/8	RHN-08-03	45.0	46.0	9.5	35	
	1/2	RHN-08-04	48.0	49.0	12.0	35	
	1	3/4	RHN-08-05	49.0	50.0	12.0	35
			RHN-08-06	50.0	51.0	16.0	35