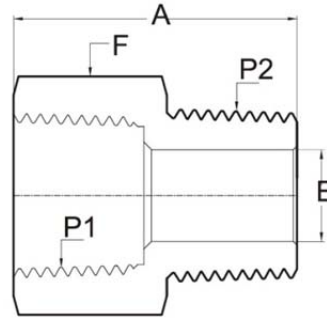


## RA Reducing Adapter



### Fractional

P1 FEMALE PIPE SIZE	P2 MALE PIPE SIZE	ITEM NUMBER	A	E MIN OPENING	F HEX FLAT
1/8	1/8	RA-01-01	24.0	5.0	14
1/4	1/8	RA-02-01	26.0	5.0	17
1/4	1/4	RA-02-02	29.0	7.0	17
3/8	1/8	RA-03-01	27.0	5.0	21
3/8	1/4	RA-03-02	30.0	7.0	21
3/8	3/8	RA-03-03	31.0	9.5	21
1/2	1/8	RA-04-01	30.0	5.0	27
1/2	1/4	RA-04-02	33.0	7.0	27
1/2	3/8	RA-04-03	34.0	9.5	27
1/2	1/2	RA-04-04	37.0	12.0	27
3/4	1/4	RA-06-02	35.0	7.0	32
3/4	3/8	RA-06-03	36.0	9.5	32
3/4	1/2	RA-06-04	39.0	12.0	32
3/4	3/4	RA-06-06	41.0	16.0	32
1	1/4	RA-08-02	41.0	7.0	41
1	3/8	RA-08-03	42.0	9.5	41
1	1/2	RA-08-04	45.0	12.0	41
1	3/4	RA-08-06	47.0	16.0	41
1	1	RA-08-08	50.0	22.0	41