

Gauge Valve

Features

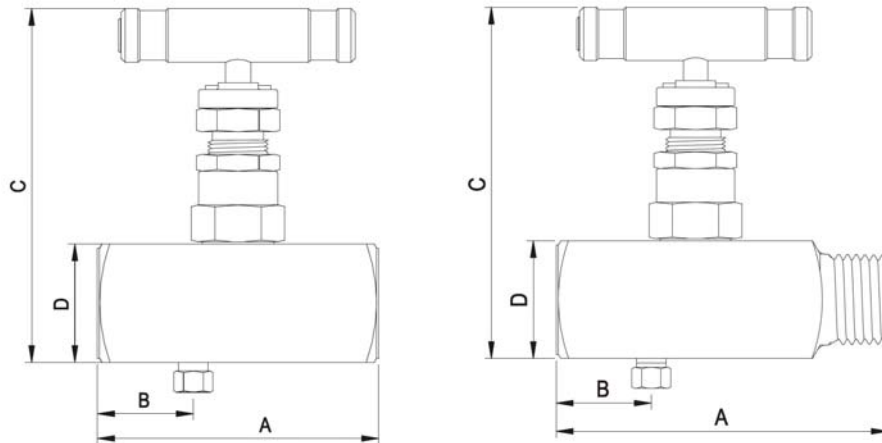
1. Body material in Stainless Steel 316 or 304.
2. Max. allowed working pressure: 6000psi (413 bar) at 37°C (100°F).
3. TFM1600 packing as standard; Graphite packing for option.
4. Lagging extension body available for insulation clearance.
5. 1/2" or 3/4" male NPT inlet port and 1/2" female NPT outlet port configuration.
6. 1/2" female NPT gauge port standard.
7. 100% factory teste.
8. Inlet connection type: NPT, BSPT female or male thread, raised face flange.
Outlet connection type: NPT, BSPT female or male thread.

Material List

Item	Part Name	Material
1	Handle	Aluminum
2	Handle Set Screw	SS304
3	Stem	SS316
4	Dust Cap	PVC
5	Packing Bolt	SS316
6	Locking Nut	SS304
7	Bonnet	SS316
8	Gland	SS316
9	Upper Packing	TFM1600
10	Lower Packing	TFM1600
11	Stem Tip	SS630
12	Body	SS316

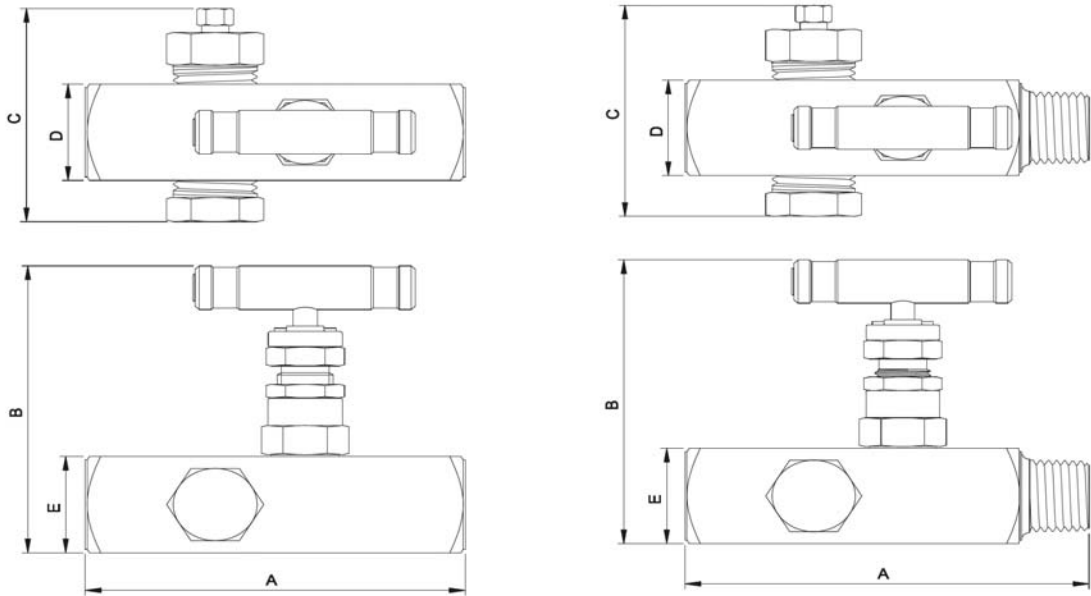


GVB Block & Bleed Gauge Valve



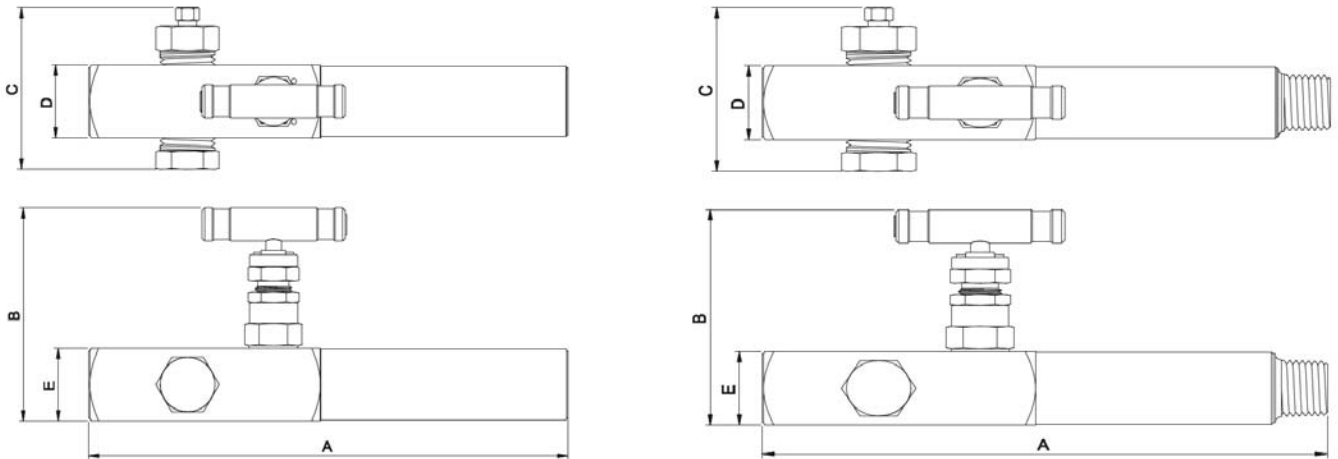
Type	Item No.	Conn./Size	Orifice		Dimensions (mm)			
		Inlet/Outlet	mm	in.	A	B	C	D
Female thread	GVB-02F	1/4"	4	0.16	58.5	22.5	80.4	25
	GVB-04F	1/2"	4	0.16	66.0	22.5	83.4	28
Female x Male thread	GVB-04FM	1/2"	4	0.16	79.5	22.5	83.4	28

GVMS Short Body Multi-Port Gauge Valve



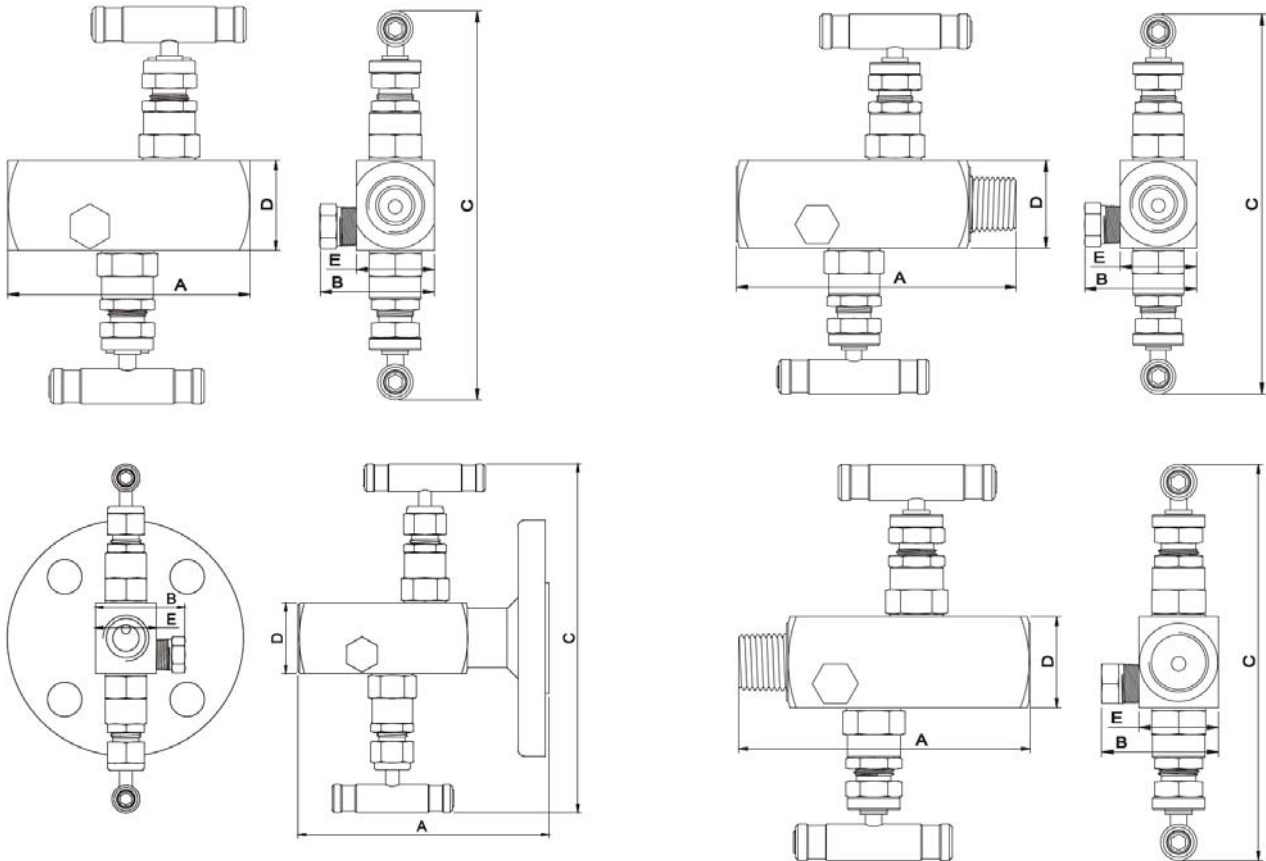
Type	Item No.	Conn./Size	Orifice		Dimensions (mm)			
		Inlet/Outlet	mm	in.	A	B	C	D
Female thread	GVMS-04F	1/2"	4	0.18	95	87.4	66	32
Female x Male thread	GVMS-04FM	1/2"	4	0.18	95	95.9	66	32

GVML Extension Body Multi-Port Gauge Valve



Type	Item No.	Conn./Size	Orifice		Dimensions (mm)				
		Inlet/Outlet	mm	in.	A	B	C	D	E
Female thread	GVML-04F	1/2"	4	0.18	184	81.8	66	32	32
Female x Male thread	GVML-04MF	1/2"	4	0.18	184	85.8	66	32	32

GV2 Gauge Dual Valve



Type	Item No.	Conn./Size		Dimensions (mm)				
		Inlet	Outlet	A	B	C	D	E
Female thread	GV2-04F	1/2"NPT	1/2"NPT	87	41	142.4	32	28
Female x Male thread	GV2-04FM	1/2"NPT	1/2"NPT	102.5	41	142.4	32	28
Flange x Female thread	GV2-12G1-04F	Ø12 (150#)	1/2"NPT	114.7	41	142.4	32	28
	GV2-12G3-04F	Ø12 (300#)	1/2"NPT	118	41	142.4	32	28
	GV2-12G6-04F	Ø12 (600#)	1/2"NPT	124.4	41	142.4	32	28
Male x Female thread	GV2-04MF	1/2"NPT	1/2"NPT	102.5	41	142.4	32	28
	GV2-04M-06F	3/4"NPT	1/2"NPT	105.5	41	142.4	32	28