

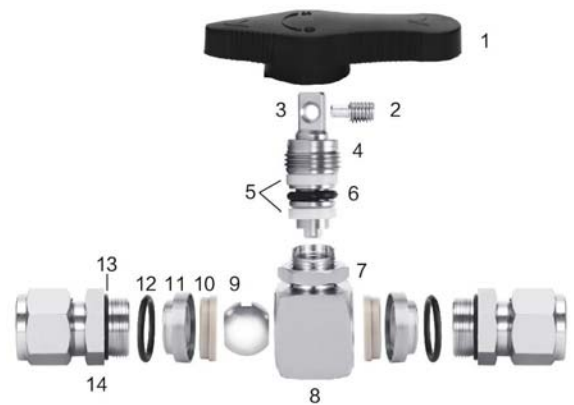
3 Piece Ball Valve 6000PSI

Features

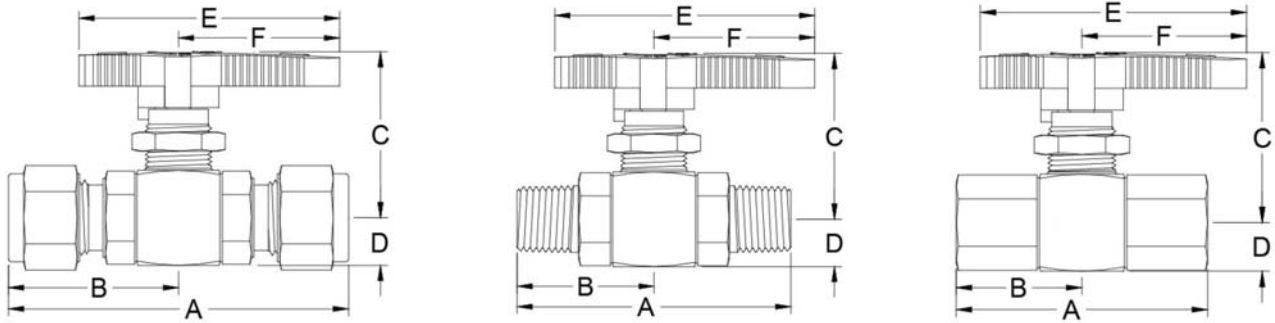
1. Max. allowed working pressure: 6000psi.
2. End connections available with Tube end, NPT, BSPP or BSPT female & male thread.
3. On/off service ball valve with 2-way pattern.
4. Diverter service ball valve with 3-way pattern.
5. Panel mountable.
6. With Viton O-ring.
7. 100% factory tested.

Material List

Item	Part Name	Q'ty	Material
1	Handle	1	Nylon
2	Handle Set Screw	1	Chrome-Plated Steel
3	Stem	1	SS316
4	Packing Bolt	1	SS316
5	Gland Packing	2	TFM1600
6	Stem O-ring	1	Viton
7	Panel Nut	1	SS304
8	Body	1	SS316
9	Ball	1	SS316
10	Seat	2	TFM1600
11	Seat Carrier	2	SS316
12	O-ring	2	Viton
13	O-ring	2	Viton
14	End Cap	2	SS316

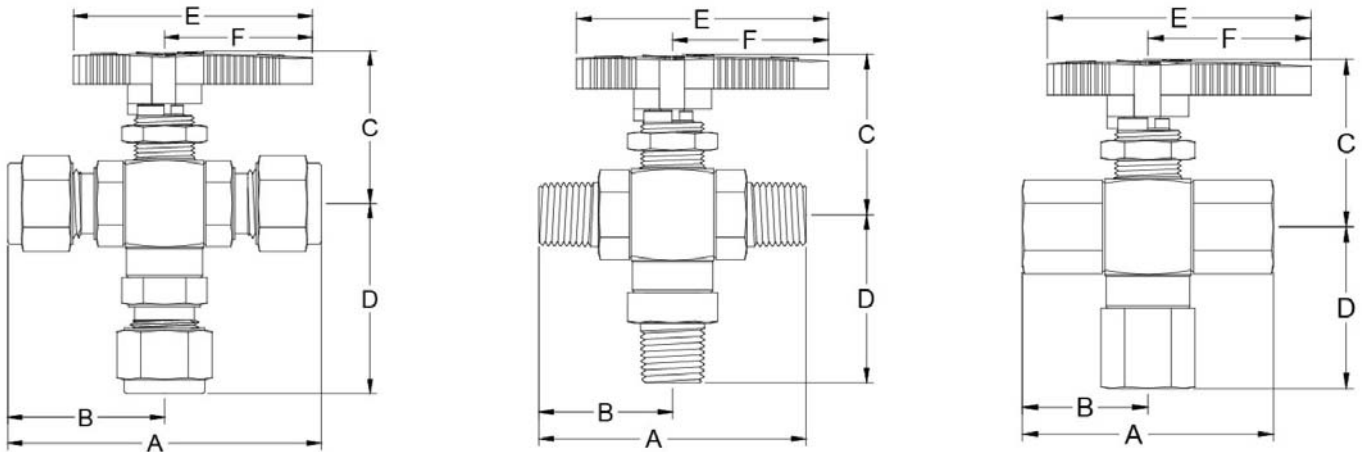


3BV-6 3 Piece Ball Valve 6000PSI, 2-Way



Type	Item No.	Conn./Size	Orifice		Dimensions (mm)							
		Inlet/Outlet	mm	in.	A	B	C	D	E	F	Panel Hole Size	Max Panel Thickness
Tube end	3BV-6-6OD	6mm	5	0.19	67.6	33.8	35.0	10.0	55	34	14.0	6.0
	3BV-6-8OD	8mm	5	0.19	70.0	35.0	35.0	10.0	55	34	14.0	6.0
	3BV-6-10OD	10mm	5	0.19	72.2	36.1	35.0	10.0	55	34	14.0	6.0
	3BV-6-12OD	12mm	10	0.39	86.4	43.2	42.0	14.0	75	45	19.0	7.0
	3BV-6-14OD	14mm	10	0.39	87.8	43.9	42.0	14.0	75	45	19.0	7.0
	3BV-6-01OD	1/8"	5	0.19	64.2	32.1	35.0	10.0	55	34	14.0	6.0
	3BV-6-02OD	1/4"	5	0.19	68.0	34.0	35.0	10.0	55	34	14.0	6.0
	3BV-6-03OD	3/8"	5	0.19	71.8	35.9	35.0	10.0	55	34	14.0	6.0
Male thread	3BV-6-04OD	1/2"	10	0.39	85.8	42.9	42.0	14.0	75	45	19.0	7.0
	3BV-6-01M	1/8"	5	0.19	52.4	26.2	35.0	10.0	55	34	14.0	6.0
	3BV-6-02M	1/4"	5	0.19	58.4	29.2	35.0	10.0	55	34	14.0	6.0
	3BV-6-03M	3/8"	5	0.19	60.4	30.2	35.0	10.0	55	34	14.0	6.0
Female thread	3BV-6-04M	1/2"	10	0.39	76.0	38.0	42.0	14.0	75	45	19.0	7.0
	3BV-6-01F	1/8"	5	0.19	45.4	22.7	35.0	10.0	55	34	14.0	6.0
	3BV-6-02F	1/4"	5	0.19	52.4	26.2	35.0	10.0	55	34	14.0	6.0
	3BV-6-03F	3/8"	10	0.39	62.0	31.0	42.3	14.5	75	45	15.8	6.5
	3BV-6-04F	1/2"	10	0.39	64.0	32.0	42.3	14.5	75	45	15.8	6.5

3BVT-6 3 Piece Ball Valve 6000PSI, 3-Way



Type	Item No.	Conn./Size	Orifice		Dimensions (mm)							
		Inlet/Outlet	mm	in.	A	B	C	D	E	F	Panel Hole Size	Max Panel Thickness
Tube end	3BVT-6-6OD	6mm	5	0.19	67.6	33.8	35.0	41.3	55	34	14.0	6.0
	3BVT-6-8OD	8mm	5	0.19	70.0	35.0	35.0	42.5	55	34	14.0	6.0
	3BVT-6-10OD	10mm	5	0.19	72.2	36.1	35.0	43.6	55	34	14.0	6.0
	3BVT-6-12OD	12mm	10	0.39	86.4	43.2	42.3	54.7	75	45	19.0	7.0
	3BVT-6-14OD	14mm	10	0.39	87.8	43.9	42.3	55.4	75	45	19.0	7.0
	3BVT-6-01OD	1/8"	5	0.19	64.2	32.1	35.0	39.6	55	34	14.0	6.0
	3BVT-6-02OD	1/4"	5	0.19	68.0	34.0	35.0	41.5	55	34	14.0	6.0
	3BVT-6-03OD	3/8"	5	0.19	71.8	35.9	35.0	43.4	55	34	14.0	6.0
Male thread	3BVT-6-04OD	1/2"	10	0.39	85.8	42.9	42.3	54.4	75	45	19.0	7.0
	3BVT-6-01M	1/8"	5	0.19	52.4	26.2	35.0	33.7	55	34	14.0	6.0
	3BVT-6-02M	1/4"	5	0.19	58.4	29.2	35.0	36.7	55	34	14.0	6.0
	3BVT-6-03M	3/8"	5	0.19	60.4	30.2	35.0	37.7	55	34	14.0	6.0
Female thread	3BVT-6-04M	1/2"	10	0.39	76.0	38.0	42.3	49.5	75	45	19.0	7.0
	3BVT-6-01F	1/8"	5	0.19	45.4	22.7	35.0	30.2	55	34	14.0	6.0
	3BVT-6-02F	1/4"	5	0.19	52.4	26.2	35.0	34.2	55	34	14.0	6.0
	3BVT-6-03F	3/8"	10	0.39	63.0	31.5	42.3	41.5	75	45	19.0	7.0
	3BVT-6-04F	1/2"	10	0.39	69.0	34.5	42.3	45.0	75	45	19.0	7.0