

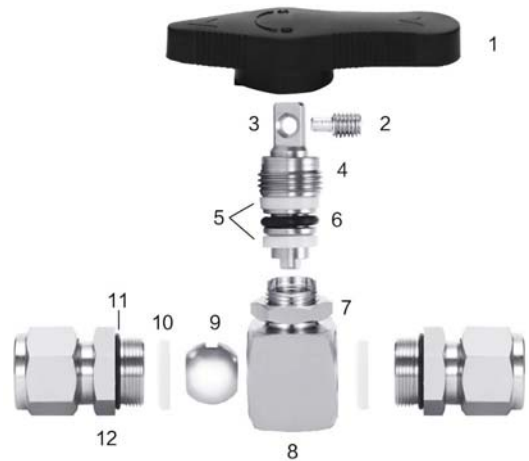
3 Piece Ball Valve 3000PSI

Features

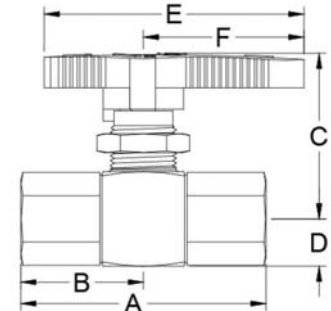
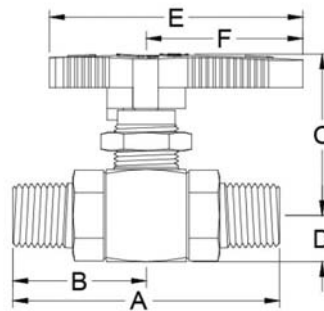
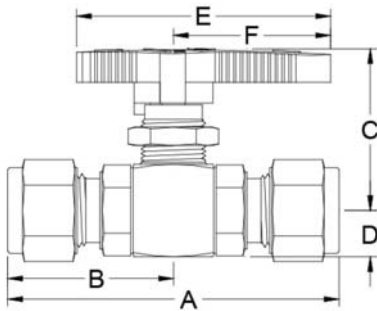
1. Max. allowed working pressure: 3000psi.
2. End connections available with Tube end, NPT, BSPP or BSPT female & male thread.
3. On/off service ball valve with 2-way pattern.
4. Diverter service ball valve with 3-way pattern.
5. Panel mountable.
6. With Viton O-ring.
7. 100% factory tested.

Material List

Item	Part Name	Q'ty	Material
1	Handle	1	Nylon
2	Handle Set Screw	1	Chrome-Plated Steel
3	Stem	1	SS316
4	Packing Bolt	1	SS316
5	Gland Packing	2	TFM1600
6	Stem O-ring	1	Viton
7	Panel Nut	1	SS304
8	Body	1	SS316
9	Ball	1	SS316
10	Seat	2	TFM1600
11	Body O-ring	2	Viton
12	End Cap	2	SS316

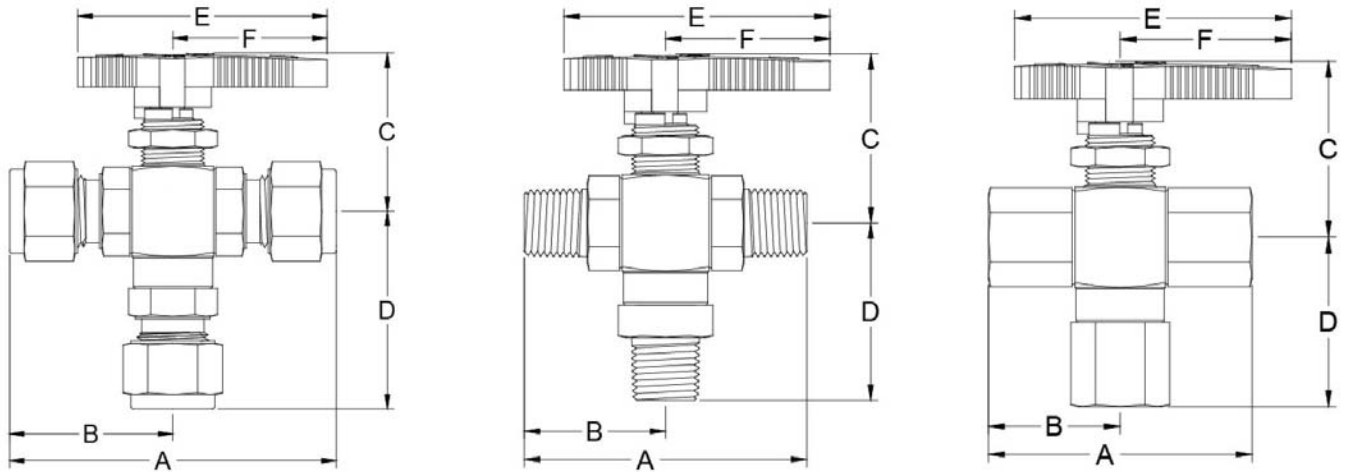


3BV-3 3 Piece Ball Valve 3000PSI, 2-Way



Type	Item No.	Conn./Size	Orifice		Dimensions (mm)							
		Inlet/Outlet	mm	in.	A	B	C	D	E	F	Panel Hole Size	Max Panel Thickness
Tube end	3BV-3-6OD	6mm	5	0.19	67.6	33.8	35.0	10.0	55	34	14.0	6.0
	3BV-3-8OD	8mm	5	0.19	70.0	35.0	35.0	10.0	55	34	14.0	6.0
	3BV-3-10OD	10mm	5	0.19	72.2	36.1	35.0	10.0	55	34	14.0	6.0
	3BV-3-12OD	12mm	10	0.39	83.4	41.7	42.3	14.5	75	45	15.8	6.5
	3BV-3-14OD	14mm	10	0.39	84.8	42.4	42.3	14.5	75	45	15.8	6.5
	3BV-3-18OD	18mm	10	0.39	84.8	42.4	42.3	14.5	75	45	15.8	6.5
	3BV-3-01OD	1/8"	5	0.19	64.2	32.1	35.0	10.0	55	34	14.0	6.0
	3BV-3-02OD	1/4"	5	0.19	68.0	34.0	35.0	10.0	55	34	14.0	6.0
	3BV-3-03OD	3/8"	5	0.19	71.8	35.9	35.0	10.0	55	34	14.0	6.0
	3BV-3-04OD	1/2"	10	0.39	83.8	41.9	42.3	14.5	75	45	15.8	6.5
Male thread	3BV-3-06OD	3/4"	10	0.39	85.8	42.9	42.3	14.5	75	45	15.8	6.5
	3BV-3-01M	1/8"	5	0.19	52.4	26.2	35.0	10.0	55	34	14.0	6.0
	3BV-3-02M	1/4"	5	0.19	58.4	29.2	35.0	10.0	55	34	14.0	6.0
	3BV-3-03M	3/8"	5	0.19	60.4	30.2	35.0	10.0	55	34	14.0	6.0
Female thread	3BV-3-04M	1/2"	10	0.39	74.0	37.0	42.3	14.5	75	45	15.8	6.5
	3BV-3-01F	1/8"	5	0.19	45.4	22.7	35.0	10.0	55	34	14.0	6.0
	3BV-3-02F	1/4"	5	0.19	52.4	26.2	35.0	10.0	55	34	14.0	6.0
	3BV-3-03F	3/8"	10	0.39	62.0	31.0	42.3	14.5	75	45	15.8	6.5
	3BV-3-04F	1/2"	10	0.39	64.0	32.0	42.3	14.5	75	45	15.8	6.5

3BVT-3 3 Piece Ball Valve 3000PSI, 3-Way



Type	Item No.	Conn./Size	Orifice		Dimensions (mm)							
		Inlet/Outlet	mm	in.	A	B	C	D	E	F	Panel Hole Size	Max Panel Thickness
Tube end	3BVT-3-6OD	6mm	5	0.19	67.6	33.8	35.0	41.3	55	34	14.0	6.0
	3BVT-3-8OD	8mm	5	0.19	70.0	35.0	35.0	42.5	55	34	14.0	6.0
	3BVT-3-10OD	10mm	10	0.39	79.8	39.9	42.3	51.4	75	45	15.5	6.0
	3BVT-3-12OD	12mm	10	0.39	83.4	41.7	42.3	53.2	75	45	15.8	6.0
	3BVT-3-14OD	14mm	10	0.39	84.8	42.4	42.3	53.9	75	45	15.8	6.0
	3BVT-3-18OD	18mm	10	0.39	84.8	42.4	42.3	53.9	75	45	15.8	6.0
	3BVT-3-01OD	1/8"	5	0.19	64.2	32.1	35.0	39.6	55	34	14.0	6.0
	3BVT-3-02OD	1/4"	5	0.19	68.0	34.0	35.0	41.5	55	34	14.0	6.0
	3BVT-3-03OD	3/8"	5	0.19	71.8	35.9	35.0	43.4	55	34	14.0	6.0
	3BVT-3-04OD	1/2"	10	0.39	83.8	41.9	42.3	53.4	75	45	15.8	6.0
Male thread	3BVT-3-06OD	3/4"	10	0.39	85.8	42.9	42.3	54.4	75	45	15.8	6.0
	3BVT-3-01M	1/8"	5	0.19	52.4	26.2	35.0	33.7	55	34	14.0	6.0
	3BVT-3-02M	1/4"	5	0.19	58.4	29.2	35.0	36.7	55	34	14.0	6.0
	3BVT-3-03M	3/8"	5	0.19	60.4	30.2	35.0	37.7	55	34	14.0	6.0
Female thread	3BVT-3-04M	1/2"	10	0.39	74.0	37.0	42.3	48.5	75	45	15.8	6.0
	3BVT-3-01F	1/8"	5	0.19	45.4	22.7	35.0	30.2	55	34	14.0	6.0
	3BVT-3-02F	1/4"	5	0.19	52.4	26.2	35.0	33.7	55	34	14.0	6.0
	3BVT-3-03F	3/8"	10	0.39	62.0	31.0	42.3	42.5	75	45	15.8	6.0
	3BVT-3-04F	1/2"	10	0.39	64.0	32.0	42.3	43.5	75	45	15.8	6.0